



Arrdev pools[®]
Every home deserves a pool

SWIMMING POOL JOY & HEALTH ROUND THE CLOCK

Ready Made Swimming Pools
(40 Shapes & Sizes)
Largest Collection in South East Asia)

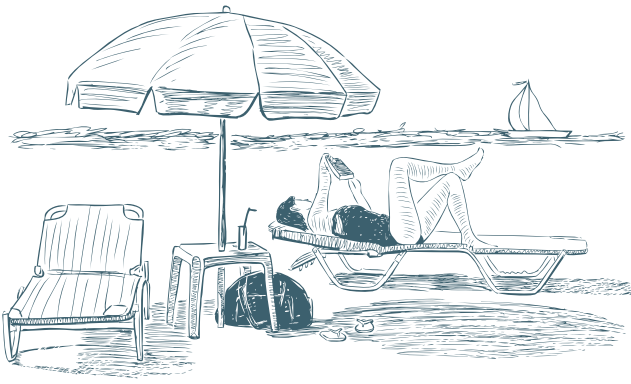
Prefab Swimming Pool
Any shape, Any size & Any where.

A Brand of Arrdev Prefab Pvt. Ltd.

Index

About us	03
Readymade Swimming pool Advantages	04-05
Fibre glass pool models	06-22
Installation of Readymade fiber glass pools	24-25
Designer pools/ Gallery	26-27
Jacuzzi & Spa pools	28-38
Aquatic therapy pools/products	33-38
Olympic/Competition equipments	39
Prefabricated/Liner swimming pools	40-48
Pipeless filters for pools	49-54
Pool Side furniture.	55
Cleaning Disinfecting Items	56
Heater & Covers	57
Pool Step & ladders	58
Appreciation & Awards	59-60
offices & factories	61-62
Team & Exhibitions [2006-2023]	63-64





About Us

Arrdev International was founded in 1999 by Arun Dev Tyagi with the vision of every home deserves a pool, So the swimming pools can be accessible to everyone in every possible way. In this process Arrdevpools has become driving force for entire industry of swimming pools.

Initially the company has provided the services to Govt. And Private customers with all size of swimming pools. Ranging from small to Olympic swimming pools across INDIA for DOS, MES, AF, CPWD etc and many hotel chains, school etc.

In 2005 we started the manufacturing of Olympic and competition equipment. We were the first one to manufacture water polo goal post, diving boards, floating lanes in INDIA.

In 2007 we have designed, invented and started Manufacturing the Pipe less Filters in India. We had taken patent for the same in 2009. Even the name of these filter as pipe less is coined by us which is now popular round the GLOBE.

2008 was the year when we started manufacturing the Fibreglass spa and swimming pools which we called as ready-made swimming pools as these are made in factory and installed at site. Currently we have more than 40 Design shapes and sizes in these pools. (Fixed size, fixed shapes spa & pools)

2011 was the year when we formulate the prefabricated swimming pools can be made in INDIA and started these with wall panels and pool liners. Across the Globe more than 80% pools are made either fibreglass or liner pools. (Any shape, any size anywhere)

Endless machines and endless pool systems come in existence in 2013 with propeller and motors with controlled variable speed. Glass wall in swimming pools in 2015.

Aquatic Therapy / Hydrotherapy pools had come in existence in 2014 in INDIA. We developed the Tech with Doctors and started making these pools. 2017 was the year we designed and made the aquatic therapy pool machines like aqua bike, aqua tread mill etc. In 2019 we started making Overflow prefabricated swimming pools (Made in INDIA)

2022 we had done the extensive research with our manufacturing process and today we can give you the designer swimming pools. In which glass mosaic design, white marble, black granite pebble design, Borders and pacific design patterns can be provided. Which is first in entire South east Asia.

2023 is the year which is dedicated to filtration tech with 10 Micron better filtration combined with skimmer.

Presently we are the biggest manufacturer and exporters of Fibreglass/ready-made swimming pools in INDIA. We have multiple offices, dealers in India and overseas partners across the GLOBE.



READY MADE FIBREGLASS SWIMMING POOLS FIXED SIZES AND DESIGNS

- Arrdevpools manufactured Fiberglass swimming pools are one of the most outstanding and customizable ways to transform your dream home into the ultimate outdoor sanctuary or into a indoor luxurious castle. These are pre-engineered fiberglass units that come in various shapes and sizes and are ready to be installed in your yard or roof top. These pools are easy to maintain, durable, sturdy and have a quick installation process.
- Arrdevpools is the primeval and technologically advanced swimming pool manufacturing company in India. Arrdevpools also being the **First Indian Company** to manufacture the most advanced and sturdy fibreglass swimming pools at their Delhi NCR factory.
- Arrdevpools made fibreglass swimming pools are light in weight and strong n sturdy in structure.
- We are building these pools **since 2008 (With 15 years+ of Expertise)** and have installed maximum number of pools all over INDIA and exported to many countries round the globe. Arrdevpools being the only manufacturer to provide a **Life time (12 years) Warrantee*** for fibreglass swimming pools.
- Arrdevpools being the only manufacturer to provide a vast variety of more than **40 Models and Designs** of Jacuzzi, Spa and Swimming pools. Arrdevpools provides a variety to start from 4 feet to 40 feet (Length) in single mould swimming pools. Also being the only manufacturer to provide the **Biggest size of swimming pool** made in fibreglass 40 x12 x 4 feet in entire INDIAN Subcontinent.
- Arrdevpools uses the patented design swimming pool **Sandwich (German Tech)** construction for all of our swimming pools. Arrdevpools crafts with Best Quality patented technology for making swimming pools which involves Hand layering and Chopper layering technology.
- Arrdevpool's Patented & TradeMarked technology For Water filtration, L.E.D light, Jacuzzi system, heating of swimming pools are used.
- This technology makes swimming pool's maintenance simple, economical & Lucid. Usage of our in House developed and patented Filtration system which also being the most technologically advanced brings down the water wastage to 0 % and 90% Lesser chemical consumption as compared to other filtration techniques. We had seen our pools using same water for 2-3 years without changing.
- ENDLESS SWIMMING POOLS, INFINITY SWIMMING POOLS AND AQUATIC THEAPY POOLS ARE ALSO A PART OF OUR VAST VARIETY OF Swimming Pools.



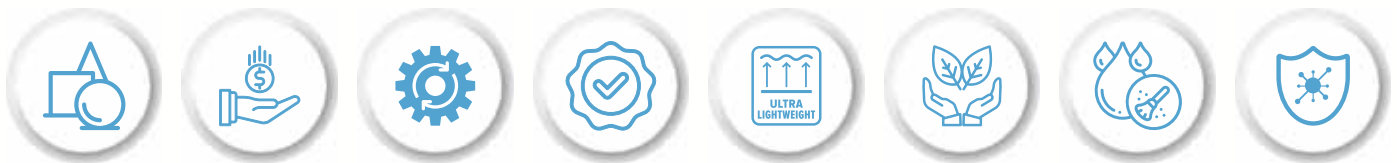
READYMADE SWIMMING POOLS

Fiberglass swimming pools have many benefits that make them a popular choice for Home Owners/Hoteliers/Developers.

Some of the Major benefits are:

- ▶ **Shapes and Sizes:** Fiberglass pools come in a variety of shapes and sizes that can fit any in any Yard and Design Preference.
- ▶ **Price Benefits:** Fiberglass pools have a lower initial cost than concrete pools and a comparable cost to vinyl liner pools. They also have lower lifetime costs due to less maintenance and repairs.
- ▶ **Low Maintenance:** Fiberglass pools are easy to maintain because they have a smooth and non-porous surface that resists the algae growth and stains. They also require lesser chemicals and cleaning than other pool types.
- ▶ **High Quality:** Fiberglass pools are durable and strong, and can withstand harsh weather conditions and ground movements. They are also resistant to fading, cracking, and peeling.
- ▶ **Light weight on roof:** These pools are very light in weight as compared to other kind of swimming pools.
- ▶ **A Clean Environment:** Fiberglass pools are eco-friendly because they use lesser water, energy, and chemicals compared to other pool types. They also do not bleachlike harmful substances into the water or soil.
- ▶ **Clean and Clear Water Benefits:** Fiberglass pools have better water circulation and filtration than other pool types, which results in cleaner and clearer water. They also have a natural pH balance that reduces the need for repetitive chemical adjustments.
- ▶ **Mould Resistant:** Fiberglass pools are mould resistant because they do not have seams or liners that can harbour bacteria and fungi.

These are some of the benefits of fiberglass swimming pools that make them a great choice for your yard or rooftop. And of course, there are also some drawbacks to consider, such as limited customization & transportation challenges.



◆ WHY FIBREGLASS POOLS ?

◆ QUICK AS A SPLASH

◆ Arrives as ready to install within 7 day's compare to other kind of pool.
It is much faster and durable

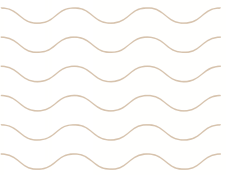
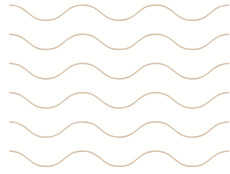
RECTANGULAR



RECTANGULAR SWIMMING POOLS (MODEL - L & R)

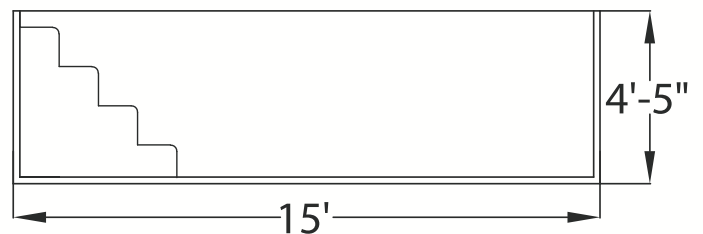
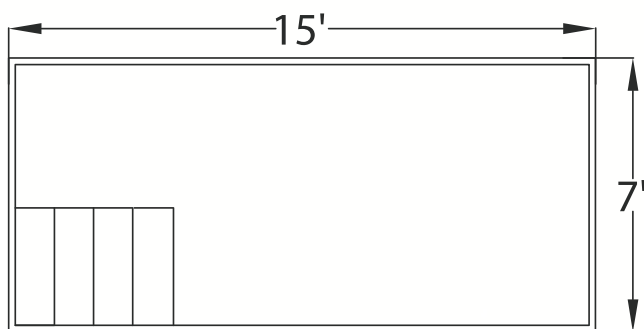
Size of pools: 15x7x4.5 ft Volume of water: 11000 litres.

These designs are based on the classic rectangles with a specific end.



• MODEL	LENGTH	WIDTH	• DEPT	WATER CAPACITY
• MODEL - L	• 15 ft.	• 7 ft.	• 4.5 ft.	• 11000 litres
• MODEL - R	• 15 ft.	• 7 ft.	• 4.5 ft.	• 11000 litres
• MODEL - HL	• 24 ft.	• 7 ft.	• 4 ft.	• 18000 litres
• MODEL - HR	• 24 ft.	• 7 ft.	• 4 ft.	• 18000 litres

RECTANGULAR SWIMMING POOL - (15'X7'X4.5") MODEL - L & R

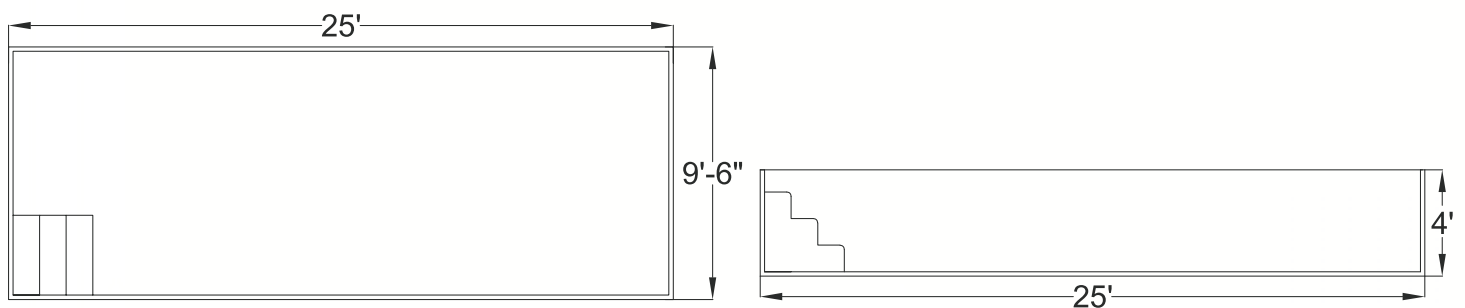


RECTANGULAR SWIMMING POOL - MODEL : W1, W2, W3, & W4



• MODEL	LENGTH	WIDTH	• DEPT	WATER CAPACITY
• MODEL - W1	• 15 ft.	• 9.5 ft.	• 4 ft.	• 15000 litres
• MODEL - W2	• 19.5 ft.	• 9.5 ft.	• 4 ft.	• 19000 litres
• MODEL - W3	• 25 ft.	• 9.5 ft.	• 4 ft.	• 25000 litres
• MODEL - W4	• 31 ft.	• 9.5 ft.	• 4 ft.	• 30000 litres

RECTANGULAR SWIMMING POOL - (25'X9.6'X4') MODEL - W3



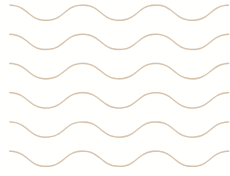
RECTANGULAR



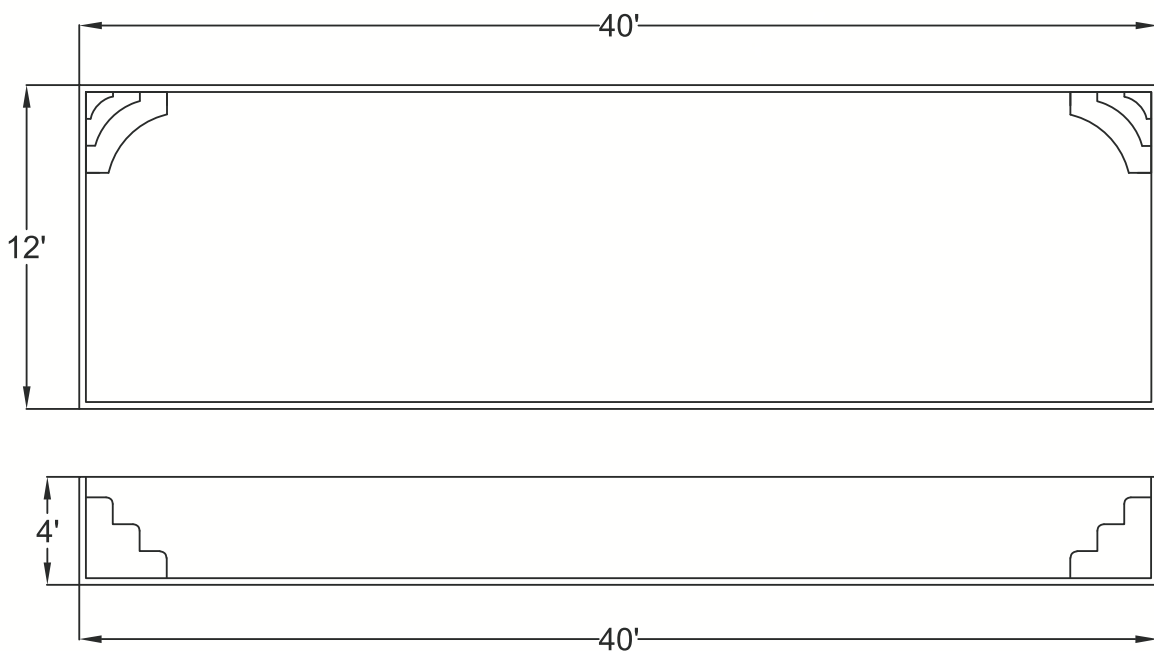
RECTANGULAR SWIMMING POOLS (MODEL - LG)

Size of pools: 40x12x4 ft Volume of water: 45000 litres.

These designs are based on the classic rectangles with a specific end.



- INDIA'S BIGGEST READYMADE SWIMMING POOLS
- BOTH SIDE ENTRY STEPS
- CAN BE ADDED WITH KIDS POOL WITH INFINITY
- JACUZZI AND FOUNTAIN CAN BE ADDED



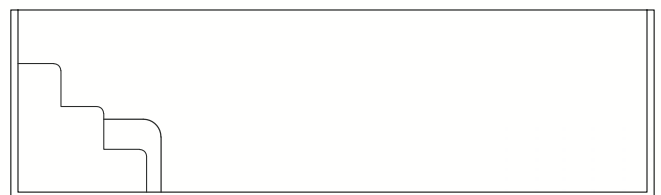
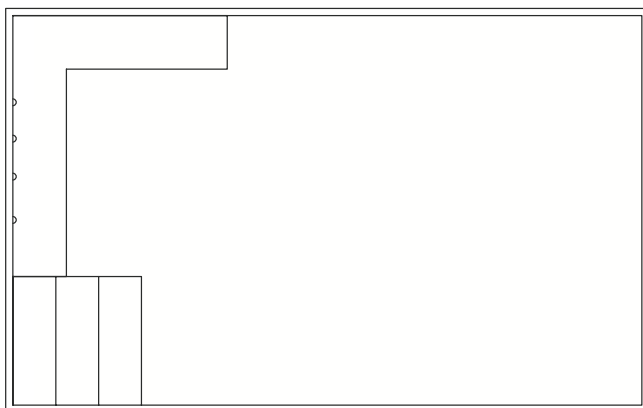
RECTANGULAR SWIMMING POOL - ADDED FEATURES



ADD ON PRODUCTS:

- L SHAPE SEATS
- JACUZZI PRESSURE JETS
- SHEET FOUNTAINS
- WPC DECKING AROUND THE POOLS
- HEATING & CHILLING SYSTEMS
- ENDLESS SWIMMING SYSTEMS
- POOL COVER

L - SHAPE SEAT - (6'X5'X1')



PLUNGE SWIMMING POOLS

These are rectangular Swimming Pools. No steps or any design inside and entire Pool is for Swimming.

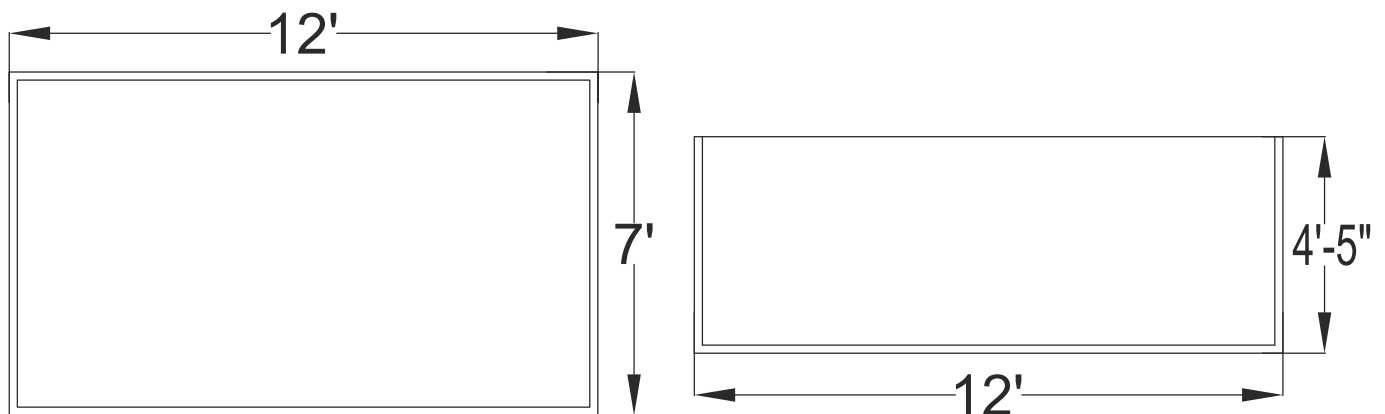
PLUNGE POOL - MODEL - 1

These designs are based on the classic rectangles with a specific end.



• MODEL	LENGTH	WIDTH	• DEPT	WATER CAPACITY
PLUNGE POOL - 1	• 12 ft.	• 7 ft.	• 4.5 ft.	• 9000 litres
PLUNGE POOL - 2	• 13 ft.	• 6 ft.	• 3.3 ft.	• 13000 litres
PLUNGE POOL - 3	• 18 ft.	• 7 ft.	• 4.5 ft.	• 17000 litres
PLUNGE POOL - 4	• 22 ft.	• 7 ft.	• 4.5 ft.	• 17000 litres

PLUNGE SWIMMING POOL - (12'X7'X4.5") MODEL - 1



ROMAN SWIMMING POOLS



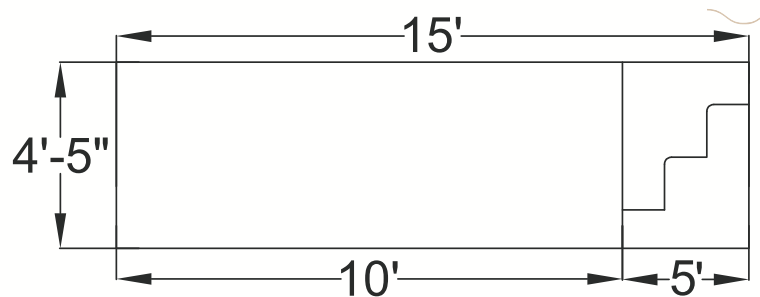
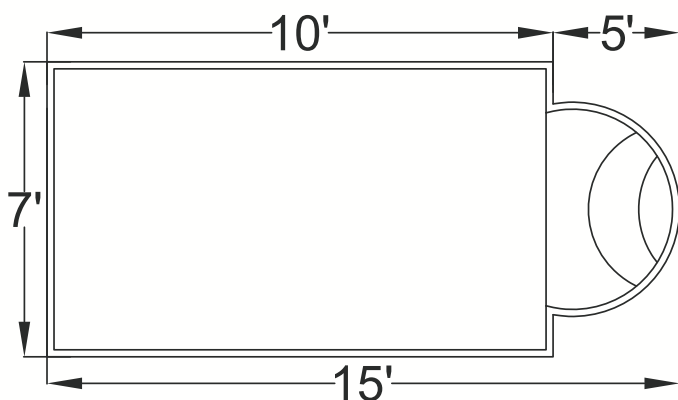
Roman style pool designs are based on the classic rectangles with a specific end, referred to as Roman pool end. While Grecian pools are characterized with cut corners, the Roman ones are recognizable for the stylized corners and a half circle on each end of the pool.

ROMAN SHAPED SWIMMING POOL - MODEL - 1



• MODEL	LENGTH	WIDTH	• DEPT	WATER CAPACITY
• ROMAN POOL	• 15 ft.	• 7 ft.	• 4.5 ft.	• 11000 litres
ROMAN POOL - 2	• 21 ft.	• 7 ft.	• 4.5 ft.	• 15000 litres
ROMAN POOL - 3	• 26 ft.	• 7 ft.	• 4.5 ft.	• 18000 litres

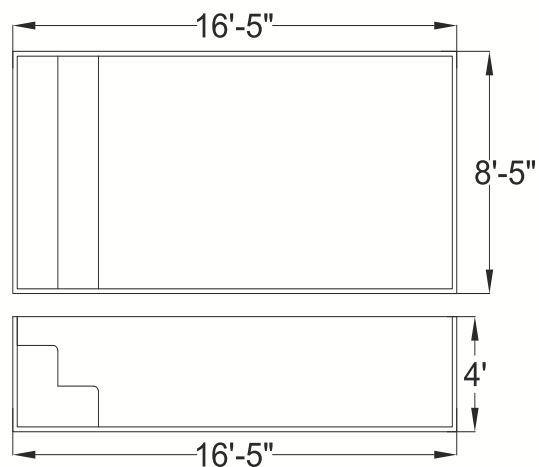
ROMAN SHAPED SWIMMING POOL - (15'X7'X4.5") MODEL - MODEL - 1



SWIMMING POOLS

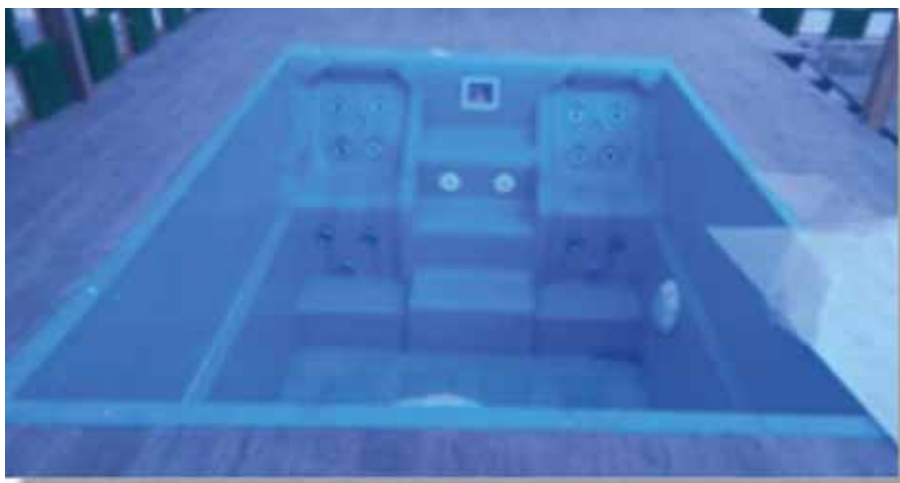
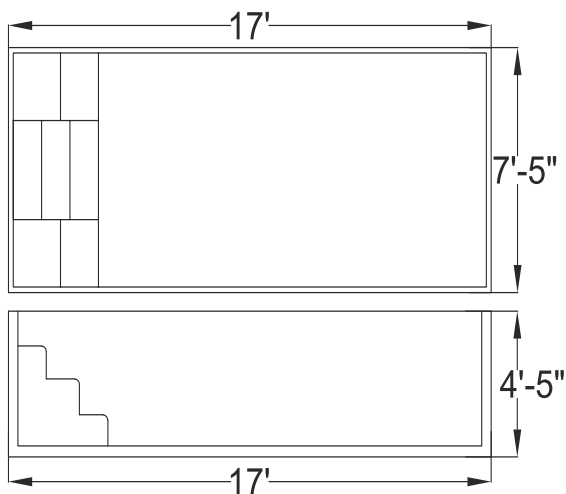
VANITY SWIMMING POOL

Size of Pools: (16.5 X 8.5 X 4 ft.) Water Capacity: 12500 Litres
Only model with steps in entire width.



OYSTER SWIMMING POOL

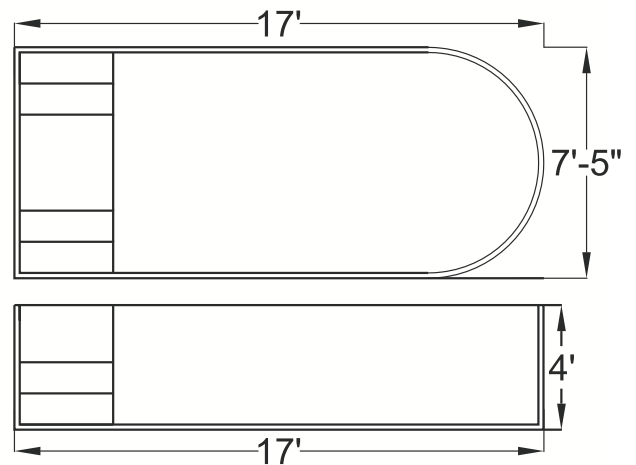
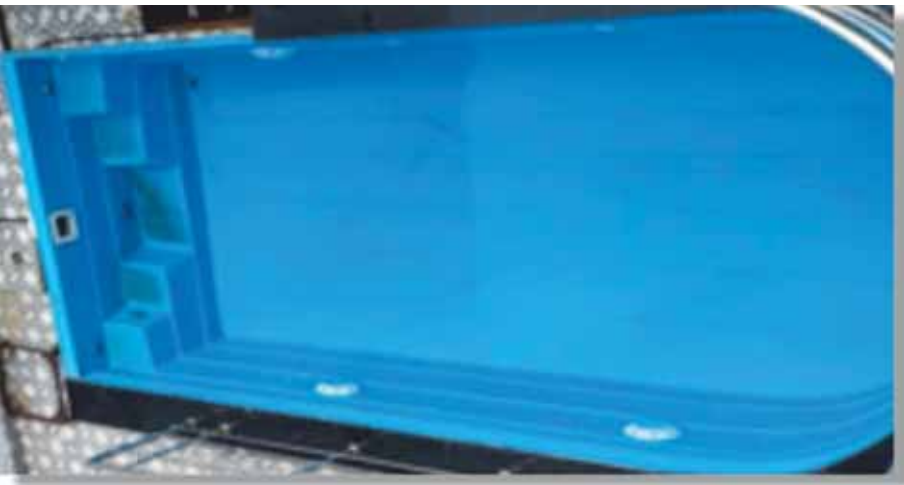
Size of Pools: (17 X 7.5 X 4.5 ft.) Water Capacity: 12000 Litres
Spa and Swimming Pool All In One.



SYMPHONY SWIMMING POOL

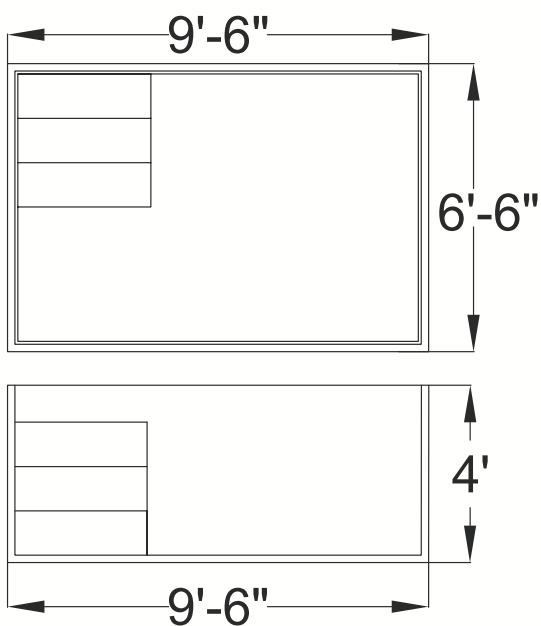
Size of Pools: (17 X 7.5 X 4 ft.) Water Capacity: 10000 Litres, Filtration System & Floating Pool Cover

This model is one of the most popular models & oldest. This is all in one compact Swimming Pool. This pool has 5 feet sitting space on both sides. It can be added with Jacuzzi and endless counter current systems too.



STEP WELL SWIMMING POOL

Size of Pools: (9.6 X 6.6 X 4 ft.) Water Capacity: 5000 Litres



SWIMMING POOLS

BEAN SHAPED SWIMMING POOLS

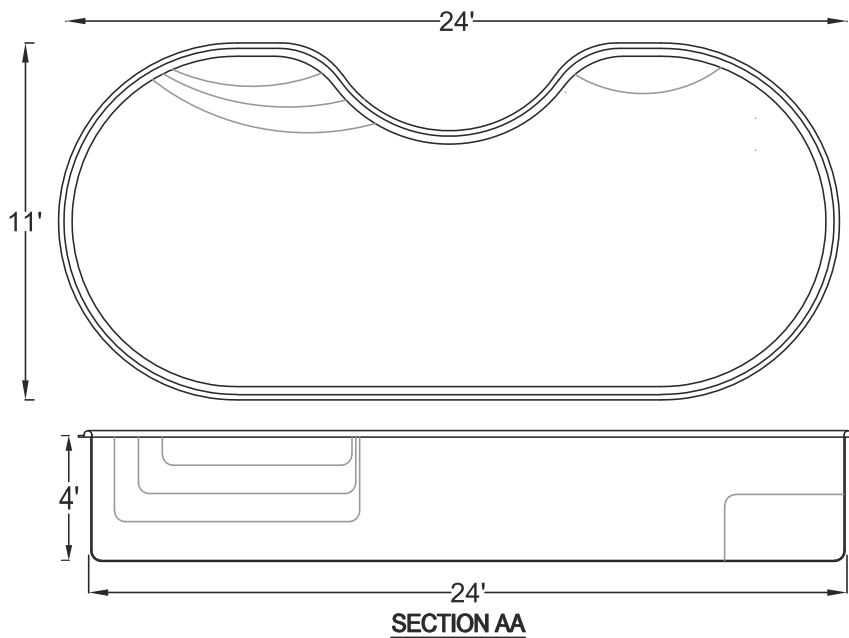
Size of Pools: (24 X 11 X 4 ft.) Water Capacity: 25000 Litres

Functional Design

Another reason kidney/Bean pools have endured is that the design simply works. The bend in a kidney/bean shaped pool serves as a clear division between two ends. However, because the curve is slight, a kidney pool still allows for lap swimming, diving, and other activities which are possible in any other design of swimming pool.

As mentioned, the indentation or "bump" on the pool deck is an obvious place to put landscaping or other decorative touches. On the practical side, it can also be a place for seating, a pool ladder, an anchored umbrella, or even an in ground spa. Whatever you put in this spot will be easily accessible.

Steps: 3 steps, Sitting: 1 seat for 3 persons



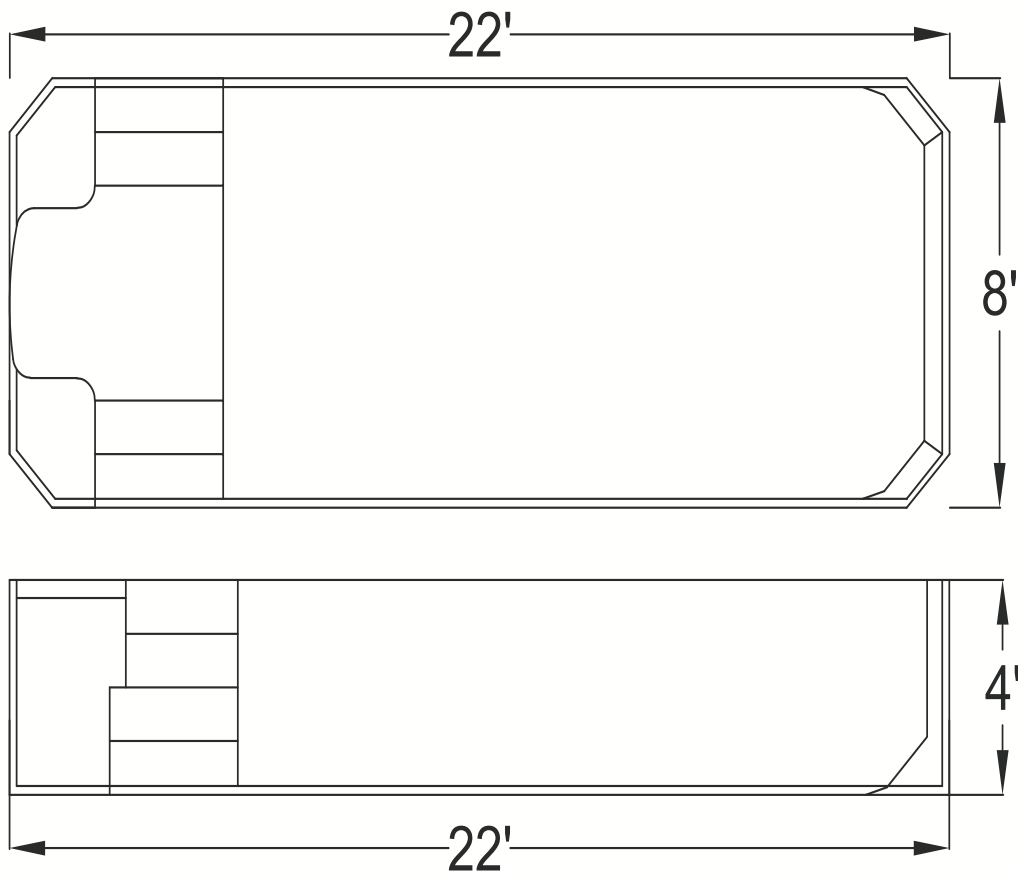
BEAN SHAPED
FIBREGLASS
SWIMMING POOL
WITH STEPS
SITTING STEP



OCTOBER MODEL SWIMMING POOL

Size of Pools: (22 X 8 X 4 ft.) Water Capacity: 15000 Litres,

- Octo model is the 1st model of Arrdev international.
- Its very popular in India.
- This is all in one kind of swimming pool having 5 feet seating area.



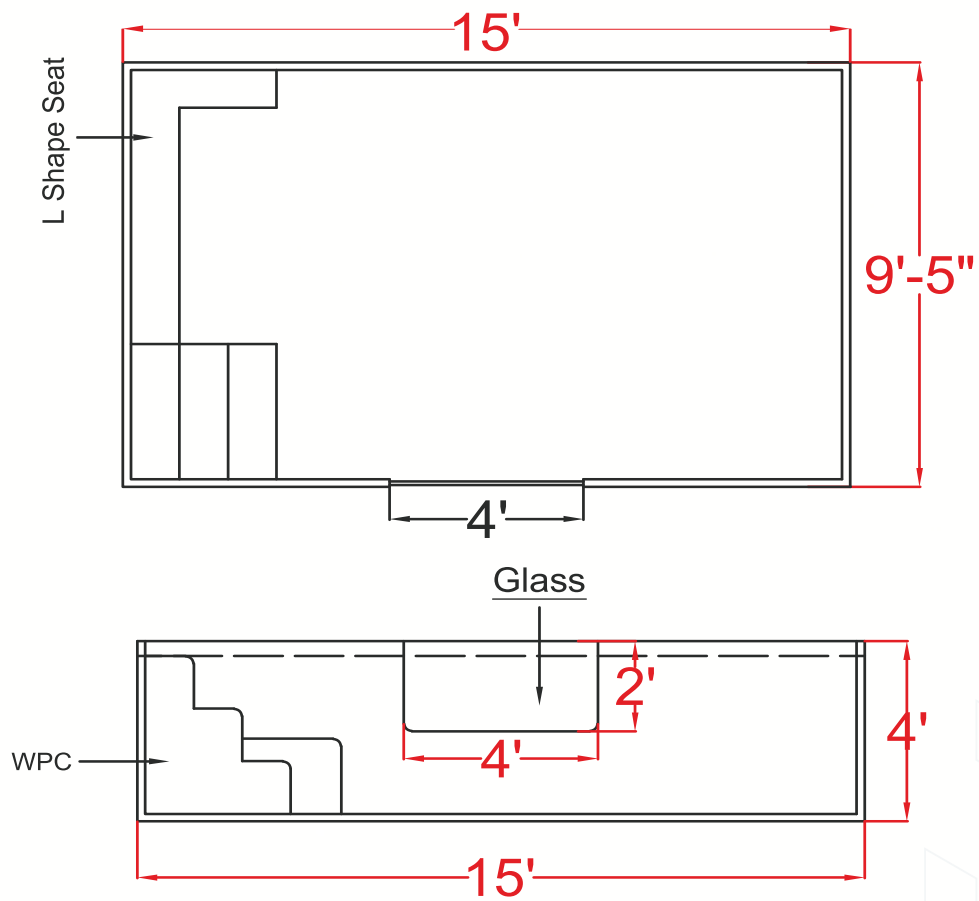
SWIMMING POOLS



GLASS WALL SWIMMING POOL

Size of Pools: (15 X 9.5 X 4 ft.) Water Capacity: 14000 Litres

Glass window/ wall swimming pools



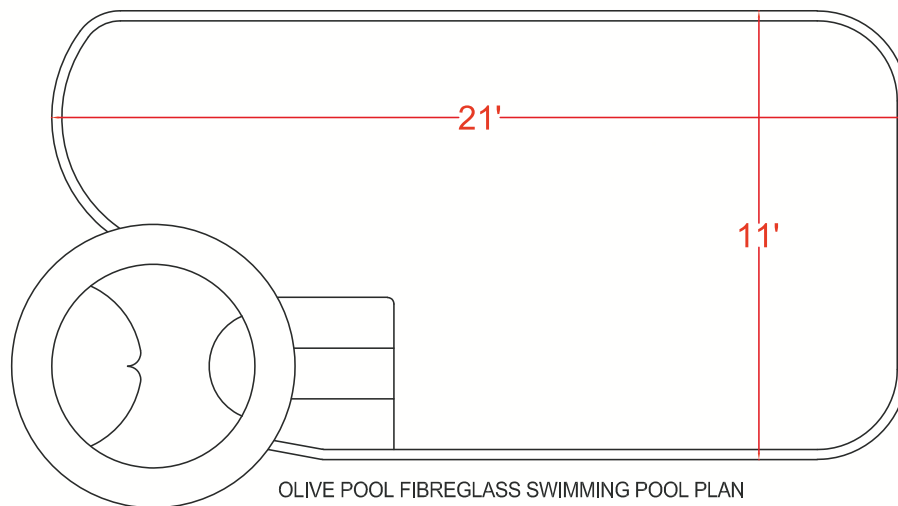
OLIVE SWIMMING POOLS – (FAMILY POOL)

Size of Pools: (21 X 11 X 5 ft.) Water Capacity: 20000 Litres

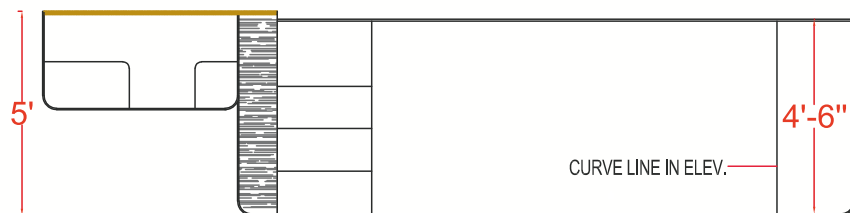
This is a unique pool in terms of Designs & Utility of swimming pool. Olive pool model can be utilized for every category of people live in a house. That's why it is call family pool.

Main pool with depth of 4.5 feet.

- Spa pool of 5 feet internal diameter with depth of 3 feet.
- Water falls from spa pool to main swimming pool.
- Inbuilt steps from top to kid's pool and to main pool.



OLIVE POOL FIBREGLASS SWIMMING POOL PLAN
(21' X 11' X 5')



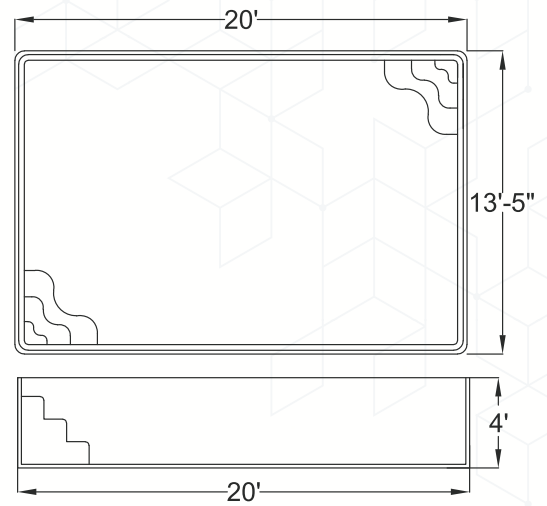
SECTION AA





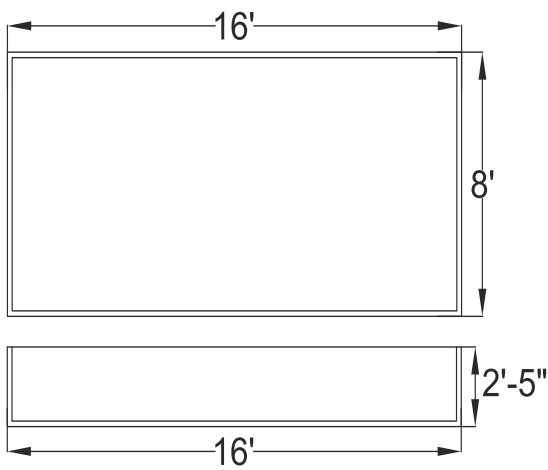
FUSION SWIMMING POOL (JOINTED POOL)

Size of Pools: (20 X 13.5 X 4 ft.) Water Capacity: 28000 Litres



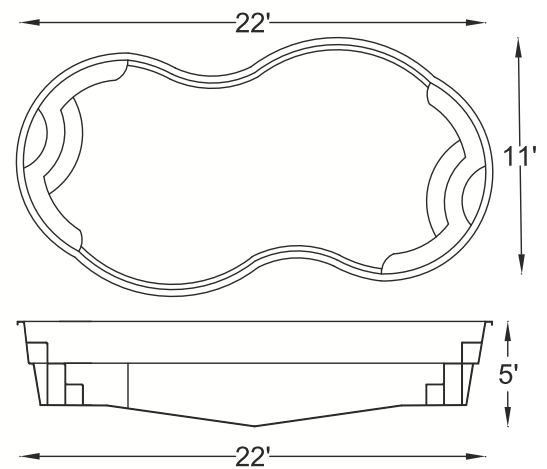
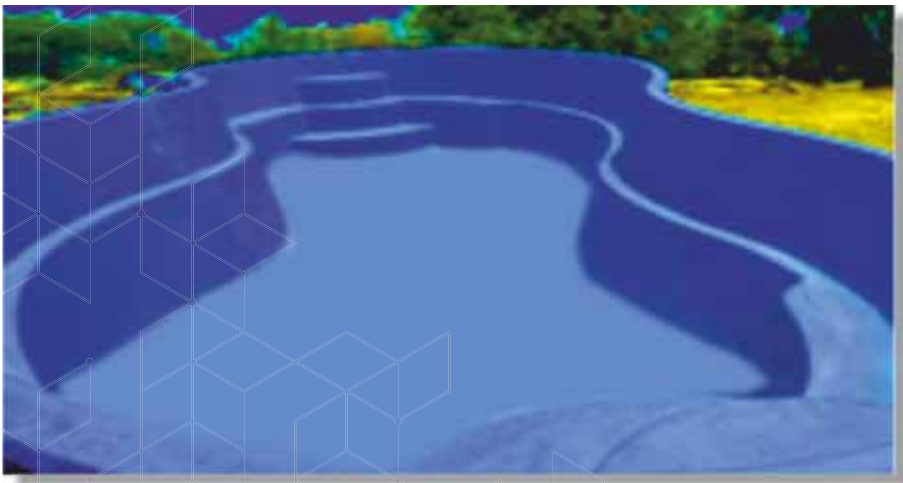
MAJESTIC OVERFLOW KIDS SWIMMING POOL

Size of Pools: (16 X 8 X 2.5 ft.) Water Capacity: 7000 Litres



STAR SWIMMING POOL (JOINTED POOL)

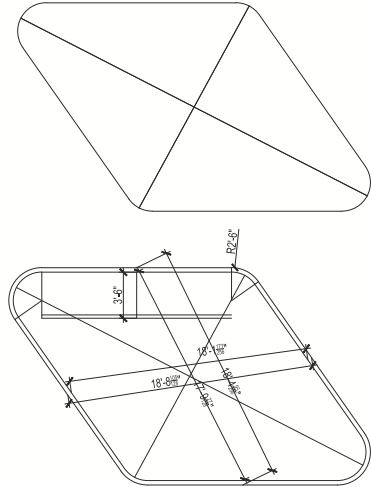
Size of Pools: (22 X 11 X 5 ft.) Water Capacity: 20000 Litres,





RHOMBUS SWIMMING POOL (JOINTED POOL)

Size of Pools: (17 X 16 X 3.5 ft.) Water Capacity: 17000 Litres
Most unique shape of Swimming pool

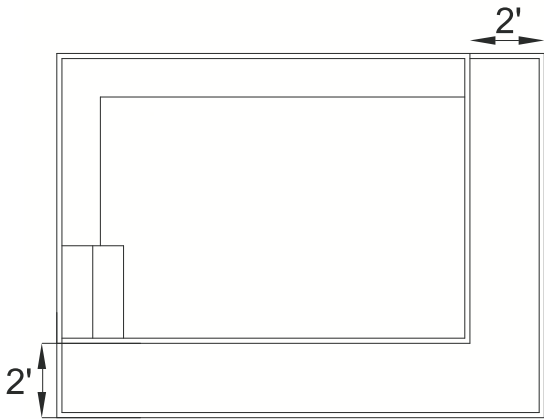


327.8 sq ft = 72'4" x 3.5 = 254 Sq ft total to 562 Sq ft = 10 for cascading type of swimming pool no total of 515 Sq ft of area will be there, app volume will be about 32,000 lbs at 1.8 ft deep.



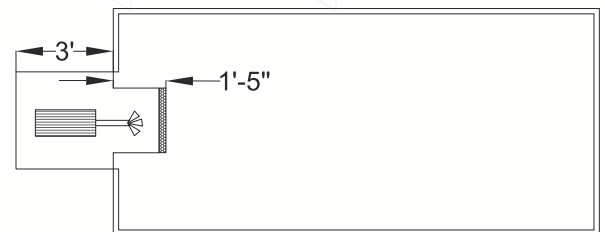
INFINITY EDGE SWIMMING POOL (JOINTED POOL)

Because of infinity channel the width or length will be increased by 2.5 ft.
Infinity Channel Make any Rectangular Or Straight Wall Into Infinity Wall



SPECIAL COUNTER CURRENT & END LESS SWIMMING POOL SYSTEM FOR CONTINUOUS SWIMMING

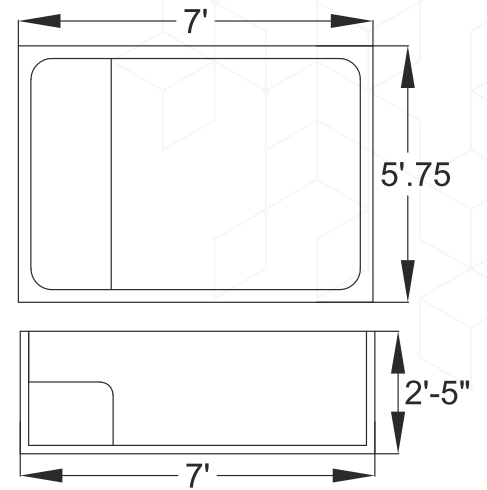
Any rectangular or plunge pool can be converted with endless / Counter current swimming system.
5 hp propeller based system with 0-100 speed control system with fan and protection box.



SHALLOW POOLS - S1

Size of Pools: (7 X 5.75 X 2.5 ft.) Water Capacity: 2000 Litres

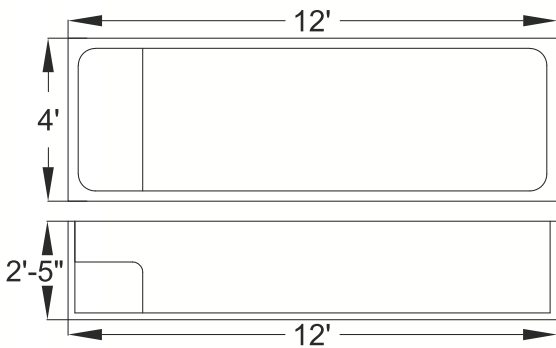
• 1 Bag Filter • 1 Hp Circulation Pump • 1 Skimmer • 2 Jets • 1 Drain Jet • 1 Light



SHALLOW POOLS - S2

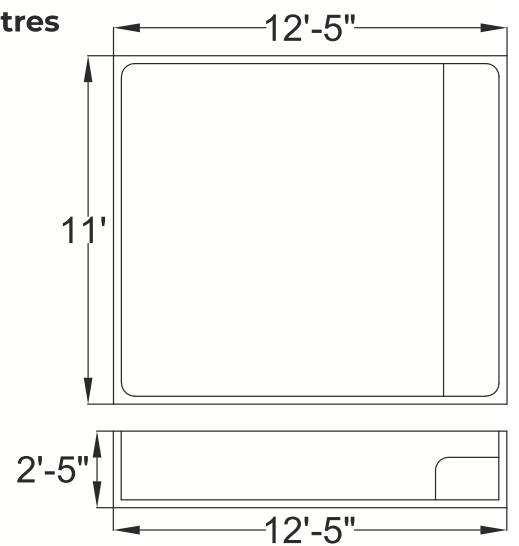
Size of Pools: (12 X 4 X 2.5 ft.) Water Capacity: 2500 Litres

• 1 Bag Filter • 1 Hp Circulation Pump • 1 Skimmer • 2 Jets • 1 Drain Jet • 1 Light



SHALLOW POOLS - S3

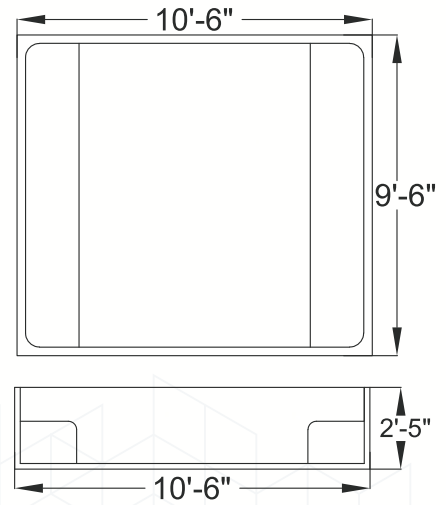
Size of Pools: (12.5 X 11 X 2.5 ft.) Water Capacity: 7500 Litres



SHALLOW POOLS - S4

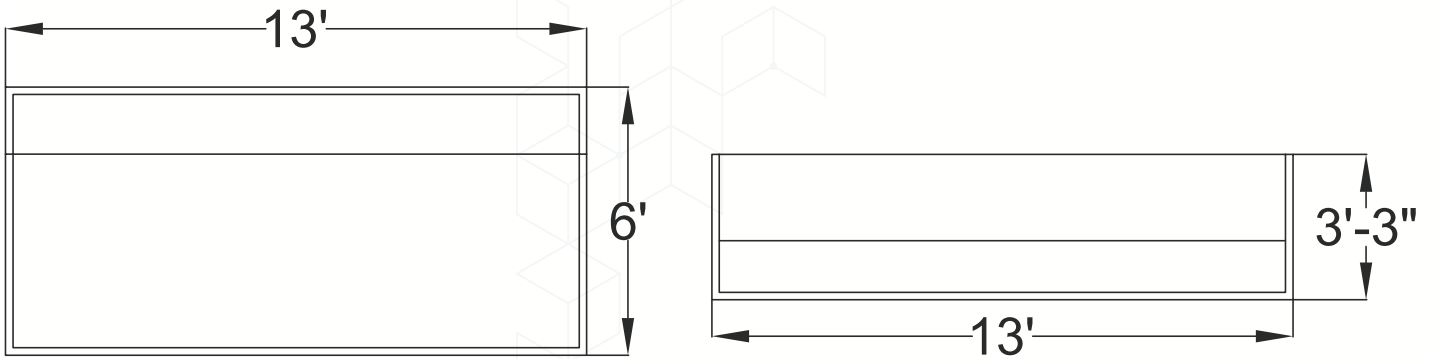
Size of Pools: (10.6 X 9.6 X 2.5 ft.) Water Capacity: 5000 Litres

• 1 Bag Filter • 1 Hp Circulation Pump • 1 Skimmer • 2 Jets • 1 Drain Jet • 1 Light



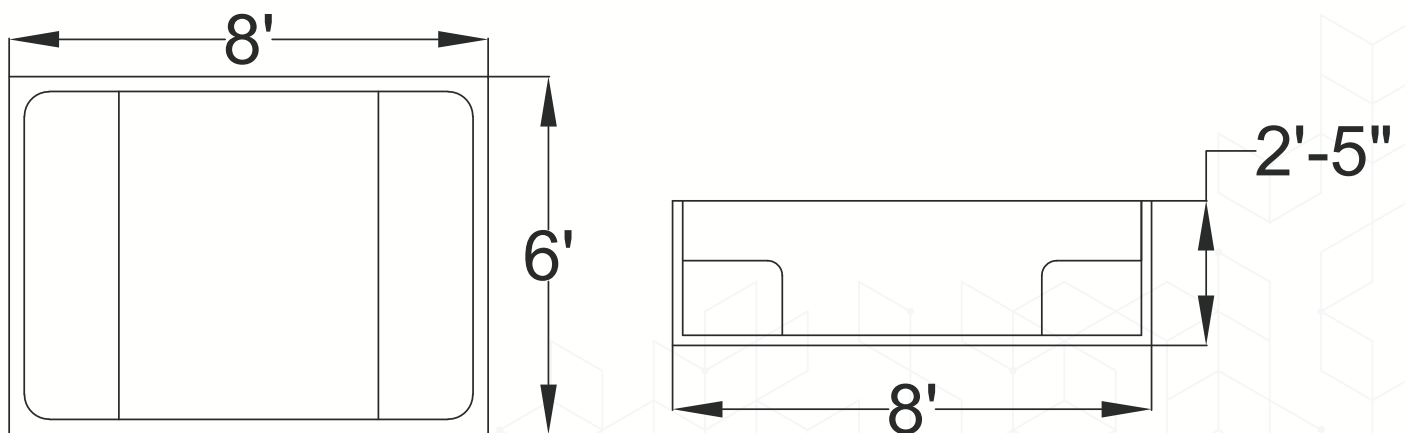
SHALLOW POOLS - S5

Size of Pools: (13 X 6 X 3.3 ft.) Water Capacity: 6000 Litres



SHALLOW POOLS - S6

Size of Pools: (8 X 6 X 2.5 ft.) Water Capacity: 2500 Litres





INSTALLATION OF READYMADE/ FIBERGLASS SWIMMING POOLS

Inground Installation Steps.

1. Manufacturing of pool in factory



2. Transportation of swimming pool on Truck.



3. Preparation of Ground after excavation with PCC/RCC on the floor before placing the Swimming pool.



4. Lifting of Swimming pool and placing on the prepared floor.



5. Filling water in pool and make deck area.



6. Swimming Pool is ready for use.



Above Ground Installation Steps.

1. Transportation of Swimming Pool via Truck.



2. Placing the pool with the help of Crane at site.



3. Make Steel Frame around the Swimming pool.



4. Make Brick wall around the Swimming pool.



or

5. Make Pool deck in Wood & filling the Swimming Pool



FRP TEXTURE DESIGNS



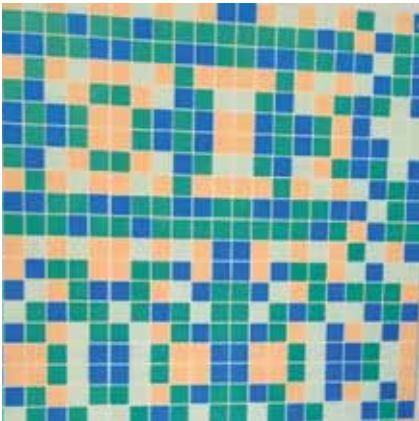
PEBBLE



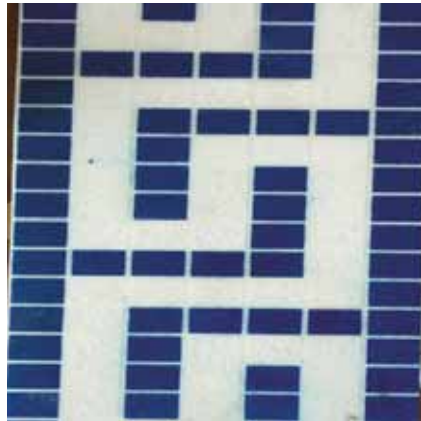
GLASS MOSAIC



BLACK GRANITE



PACIFIC TILE DESIGN



CUBAN MOSAIC



WHITE TIGER

FIBER GLASS POOL WITH TEXTURE DESIGN





SPA HOT TUBS

Warm water has long been known for its healing and revitalising properties. Spend just a few minutes in a Spa, and you'll probably feel less stressed more relaxed, sleep better, and have less back and arthritis complaints. Hot tubs are huge tubs or small pools with hot water that are used for socialising, rehabilitation, and relaxation. Hot tubs typically come with a heating system, strong jets for massage therapy, and are composed of fibreglass. Hot tubs can be used both indoors and outdoors and typically contain seats for many people.

You can install a **SPA** next to your pool to produce a tranquil, natural waterfall impression. **SWIM SPA** gives extra leisure space for outdoor enjoyment across various gathering spaces when installed separately from the pool.

You can perfectly match the colour of your custom pool and spa combination because every spa collection is available in the same colour selections as our composite fibreglass.

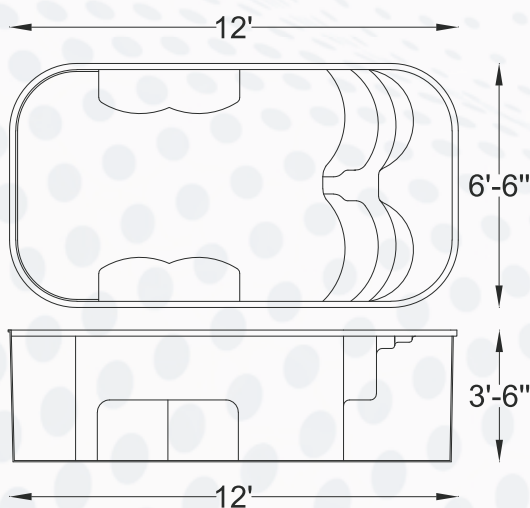
Hot Tub is an enormous tub or little pool loaded with warmed water and can be utilized for hydrotherapy. We have **D SPA, OVER FLOW SPA, SWIM SPA** in this category.

SWIM SPA

Size of Pools: (12 X 6.5 X 3.5 ft.) Water Capacity: 5000 Litres,

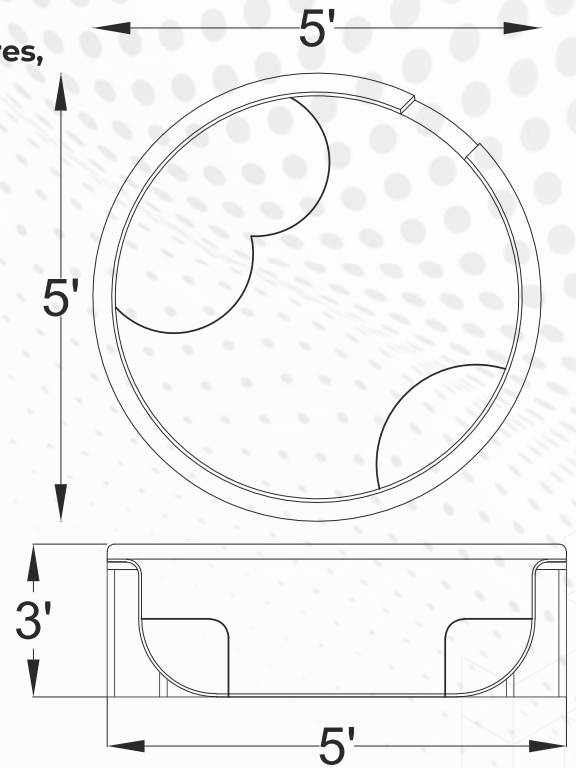
Hot Tub spa is water spa of small size pool with jacuzzi system, air bubbles, water filter, heater & chiller in it to use all over the year. Seating in jacuzzi, getting massage with hot cold water and relaxed your body. This is small size 12x6.5x3.5 ft pool which is easy to transport & install on roof top of basements.

- 6 persons can sit in it & water filter make water cleaner through out of year.
- Water filter 25
- Pump-jacuzzi jet 1.5Hp-2nos
- Air blower-1 set 12 jet
- Water Heater & Chiller 2Kw (optional)
- Water Capacity-5000 litres



3 SEATER ROUND SPA

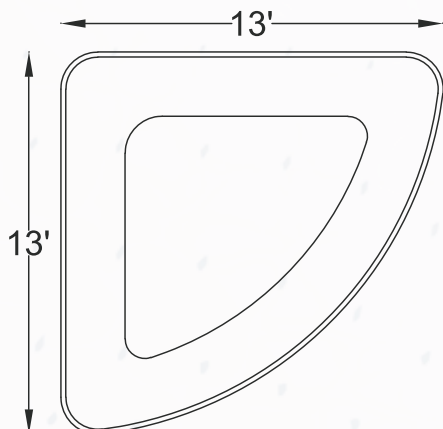
Size of Pools: (D 5 X D 3 ft.) Water Capacity: 1000 Litres,



QR MODEL SPA

Size of Pools: (13 X 13 X 3 ft.) Water Capacity: 5000 Litres,

- INDIA'S Biggest SPA
- JACUZZI JETS 36
- 6 PUMPS
- 1.5HP FILTER
- 3 LED LIGHTS



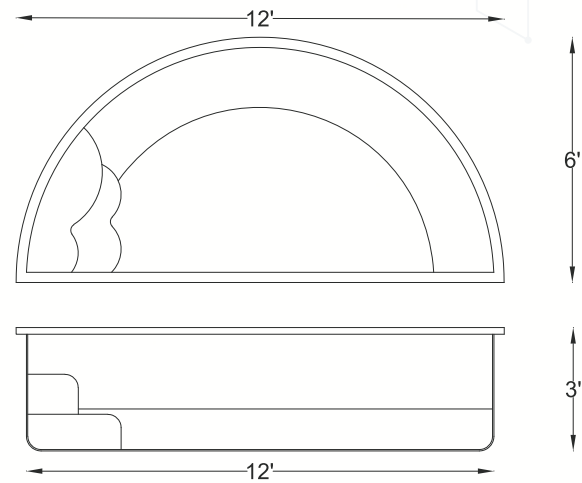
SPA

D-SPA SWIMMING POOLS

Size of Pools: (12 X 6 X 3 ft.) Water Capacity: 3000 Litres

A Hot Tub is an enormous tub or little pool loaded with warmed water and can be utilized for hydrotherapy. Hot tubs are in some cases otherwise called spas, or by the exchange name Jacuzzi.

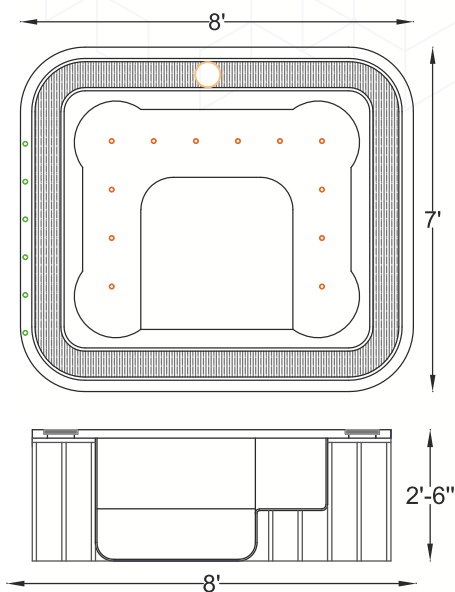
- D-shaped spa for sitting for 8 no's of persons at one time.
- This D-shaped spa with steps and seats.
- 3 ft deep with 1.5 ft seat with reclined back.
- It enhances beauty of your home.



OVER FLOW SPA POOLS

Size of Pools: (8 X 7 X 2.5 ft.) Water Capacity: 2000 Litres

- Seating capacity: 4-6
- With bag filter
- Same water for entire year - no water wastage - led light



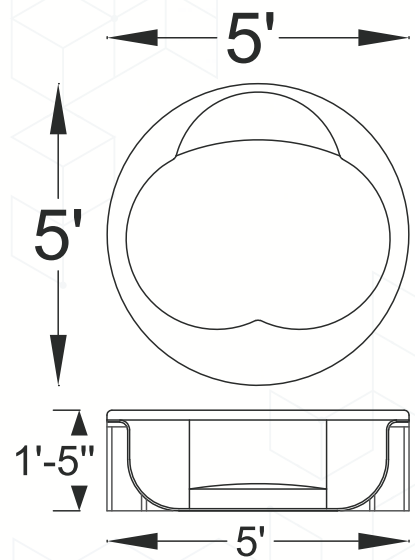
JACUZZI/BATH TUB

ROUND JACUZZI BATH TUB

Size of Pools: (D 5 X D 1.5 ft.) Water Capacity: 400 Litres,

A Jacuzzi tub (sometimes called a hot tub or a whirlpool bath) is a bathtub with jets that provide a pleasant, massaging sensation to the body. It is usually larger than a regular bathtub and can fit more than one person. The jets are meant to produce a turbulent flow of water, which aids in the relief of aching muscles and the promotion of relaxation. Jacuzzi tubs can be freestanding or integrated into a deck or platform and fashioned of a range of materials, including acrylic, fibreglass, and porcelain. Some models also include extras like built-in lighting, sound systems, and waterfalls.

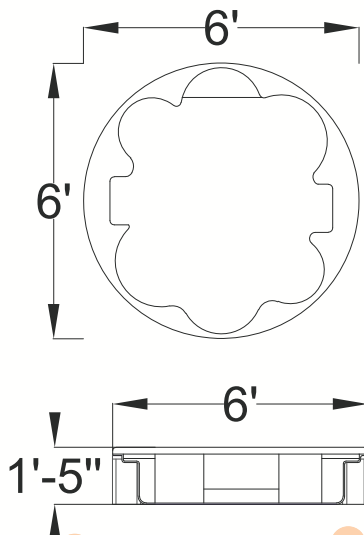
- Jacuzzi - 6Jets
- LED-1 Light
- Motor-1 HP 0.7 kw
- 5 Feet Bath Tub for 2 Person



FLOWER JACUZZI TUB

Size of Pools: (D 6 x D 1.5 ft.) Water Capacity: 800 Litres

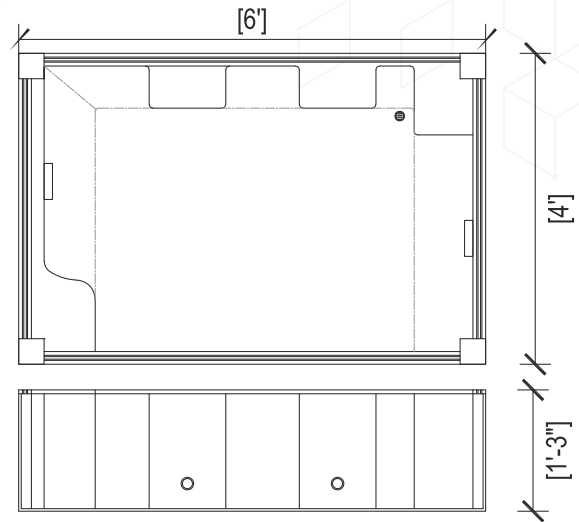
- Size 6 Feet Diameter
- Pump-2 Nose
- Jacuzzi - 12 Jet
- Led-2 Nos.
- Frame -Mild Steel
- 4 Person Use



JACUZZI RECTANGULAR BATH TUB 2 SEATER - MODEL - 1

Size of Pools: (4 X 6 X 1.3 ft.) Water Capacity: 500 Litres,

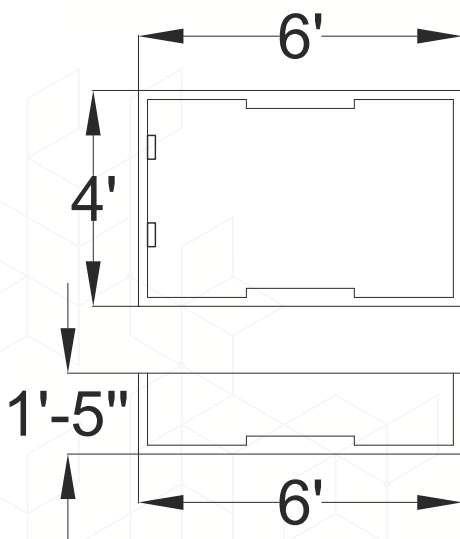
- Size 4x6x1.5 Feet Moc-Fibreglass
- Frame - Mild Steel
- Jacuzzi-1 Hp Motor With 6 Jet
- Control - P
- Motor-1 Hp 0.7 Kw
- 2 Person Use
- 4x6 Feet Rectangular Bath Tub For 2 Person



JACUZZI RECTANGULAR BATH TUB 2 SEATER - MODEL - 2

Size of Pools: (4 X 6 X 1.5 ft.) Water Capacity: 600 Litres,

- Size 4x6x1.5 Feet Moc-Fibreglass
- Frame - Mild Steel
- Jacuzzi-1 Hp Motor With 6 Jet
- Control - P
- Motor-1 Hp 0.7 Kw
- 2 Person Use
- 4x6 Feet Rectangular Bath Tub For 2 Person



Saddling the physical properties of water to aid patient recuperating and exercise execution, sea-going treatment is perfect for an assortment of ailments. Warm water (our pools can be warmed up to 40 degrees) helps with loosening up muscles and expanding blood stream to harmed regions.

Amphibian treatment in a warmed remedial pool can enable you to meet an assortment of objectives. The warm water expands course, respiratory rate, muscle digestion, quality, adaptability and simplicity of development while diminishing torment through diminished weight-bearing and decreased joint pressure.



AQUATIC POOLS ARE FOR REHABILITATION, OLD AGE MOVEMENT ENHANCEMENT AND FOR GENERAL FITNESS.

Aquatic treatment alludes to water-based medications or activities of helpful aim, specifically for unwinding, well ness, and physical restoration. Medicines and activities are performed while gliding, halfway submerged, or completely submerged in water.

Different advantages of lightness are that the water underpins feeble muscles, improves adaptability and scope of movement, and expands the simplicity of dealing with for the advisor. Hydrostatic weight is a magnificent advantage of oceanic treatment. Hydrostatic weight is the power applied on the drenched body by liquid atoms.

Oceanic treatment is a recovery choice that enables individuals to practice in a water situation... Utilizing opposition combined with the water's lightness enables an individual to reinforce muscle bunches without the joint pressure brought about ashore.

HOW DOES AQUATIC THERAPY WORKS?

Simply, Aquatic treatment or pool treatment is physiotherapy that is performed in the water. Sea-going treatment is a recovery alternative that enables individuals to practice in a water domain. With that in mind, it should just be performed via prepared and affirmed authorities.

You don't have to realize how to swim to do sea-going treatment, and in spite of the fact that it is done in water, it isn't a similar thing as swim exercises.

All in all, what are the properties that make oceanic treatment powerful?

Lightness, an element of water, helps with supporting the heaviness of the patient, which diminishes weight on the joints. This is helpful for any condition that makes weight-bearing troublesome, from bone breaks to sprains and strains.

Utilizing opposition combined with the water's lightness enables an individual to fortify muscle bunches without the joint pressure acquired ashore.

Hydrostatic weight, additionally called gravitational weight, helps with improving proprioception--the feeling of one's body in space--which can end up reduced after torn tendons or joint sprains. The hydrostatic weight additionally helps with diminishing expanding brought about by damage or for those with joint inflammation.

At last, the glow of the water enables muscles to unwind and builds blood stream to harmed regions, which helps with mending. Any muscle agony, and fibromyalgia are the sorts of conditions especially helped by this part of amphibian treatment.

AQUATIC THERAPY AQUAGYM HYDROTHERAPY POOLS

- Any kind of therapy performed within water or with water is called hydrotherapy
- Hydrotherapy is the alternative therapy in association of
- For fast recovery and rehabilitation are purpose for hydrotherapy

WHY FIBREGLASS POOLS?

QUICK AS A SPLASH

From our manufacturing plant straight to your home, your ARDEV Pool arrives ready to install. No fuss installation in as little as seven days, compared with concrete rendered or pebbled pools which can take up to three months to complete.

LOOKING GOOD

Pools feature a super soft high gloss surface in a fantastic range of vibrant shimmer and royal colours. This ultra-hard wearing surface is non-porous, stain and chemical resistant and of course is so easy to maintain and clean.

STRONG & DURABLE

Arrdev Pools fiberglass pool shells all exceed Indian and worldwide standard for thickness. This means that your pool is strong and durable, yet being made of fibergalss, can flex to accommodate most earth movement.

'5' TICKS

Our commitment to overall production quality ensures that we use the finest materials and innovative manufacturing processes to bring you the very best in fiberglass swimming pools. We have combined our manufacturing process with the latest in swimming pool design and materials to create a new standard across the swimming pool industry.

This is why SAI Global have awarded Arrdev Pools with the '5' Tick Certified Product Standard. We are the only company in INDIA to be approved to display this symbol. Guaranteeing the swimming pool you buy is the very best that we can manufacture.

POOL RANGE

Development and expansion of our modern shapes and sizes is constant so that our range of pools is second to none. With an 10002 facility dedicated to new pool development ensures that you will have a choice of the very latest designs and features to suit your lifestyle.

COLOUR RANGE

Boasting six shimmer colours combined with three royal colours you can be assured we have a colour to suit your lifestyle decore. Barrier Reef Pools pride themselves in only using a marine grade gelcoat (ISO NPG.), ensuring the surface in the contact with pool water is the very best.

WARRANTY

Arrdev Pools offer a 12 year structural warranty with their pool shells. There is also an internal warranty which meets SPASA Guidelines and INDIAN Standards, as opposed to concrete pools which at best, will guarantee a seven year structural warranty.

HYDROTHERAPY POOLS

HYDROTHERAPY MEDICAL POOLS

Hydrotherapy is a remedial entire body treatment that includes moving and practicing in water; basically, physiotherapy in a pool. Hydrotherapy pools are normally unique in relation to conventional pools - the temperature, weight and development of water is controlled and changed by who's utilizing the pool.

HOW HYDROTHERAPY POOL WORKS?

Hydrotherapy can help you in various manners: The glow of the water enables your muscles to unwind and facilitates the torment in your joints, helping you to work out. The water bolsters your weight, which mitigates agony and increment the scope of development of your joints.

USE OF HYDROTHERAPY

Hydrotherapy, once in the past called hydropathy includes the utilization of water for mitigating torments and treating ailments. Hydrotherapy is utilized to treat musculoskeletal issue, for example, joint inflammation, ankylosing spondylitis, or spinal line wounds and in patients enduring consumes, spasticity, stroke or loss of motion.

AQUATIC GYM PRODUCTS

Water heart stimulating exercise is vigorous exercise activities performed in our shallow water pool, utilizing the water as obstruction and for additional opposition oars and noodles.

Water Aerobics helps assemble cardiovascular stamina, quality and adaptability.

Contrasted with swimming, water wellness classes are viewed as a superior all-round exercise since they utilize a more noteworthy assortment of muscles. You won't consume the same number of calories similarly as with running, however the calorie consuming is as yet significant - about equivalent to lively strolling or a low-sway heart stimulating exercise class.

Despite the fact that it consumes less calories than different kinds of heart stimulating exercise done ashore, water high impact exercise is as yet an amazing method to consume calories for weight reduction. Joined with a calorie-decreased eating regimen, individuals all things considered and capacities can shed pounds and addition wellness doing water high impact exercise a few times each week.

In spite of the fact that water vigorous exercise conveys rock solid wellbeing and body benefits--consuming calories, conditioning your muscles and fortifying your heart, to give some examples--you'll feel light and stable while placing next to no weight on your joints in a pool, since you reduce gravity's power on your body when you're in water.

AQUA AEROBIC

Water high impact exercise (waterobics, oceanic wellness, aquafitness, aquafit) is the exhibition of oxygen consuming activity in genuinely shallow water, for example, in a pool.

Done for the most part vertically and without swimming regularly in abdomen profound or more profound water, it is a sort of obstruction preparing. Water high impact exercise is a type of vigorous exercise that requires water-inundated members. Most water heart stimulating exercise is in a gathering wellness class setting with a prepared proficient educating for about 60 minutes. The classes center around high-impact perseverance, opposition preparing, and making a charming air with music. Various types of water vigorous exercise include: water Zumba, water yoga, water heart stimulating exercise, and water run.

DIFFERENCE FROM LAND AND AQUA AEROBICS

While like land heart stimulating exercise, in that it centers around cardiovascular preparing, water high impact exercise varies in that it includes the part of water opposition and lightness.

Despite the fact that pulse doesn't increment as much as in land-based high impact exercise, the heart is working similarly as hard and submerged exercise really siphons more blood to the heart. [1]

Practicing in the water isn't just high-impact, yet in addition quality preparing focused because of the water opposition.

Moving your body through the water makes an opposition that will initiate muscle gatherings. Hydro high impact exercise is a type of a vigorous exercise that requires water-submerged area

VARIETY OF CONFIGURATION

A gathering of individuals in swimwear accelerating on metal edges in a shallow pool

AN AQUA CYCLING CLASS

New amphibian organizations are emerging into the activity world with thoughts, for example, water cycling and water post moving. Water high impact exercise is gainful to a huge number of members in light of the fact that the thickness of the water permits simple portability for those with joint inflammation, weight, and different conditions. Further, it is a viable route for individuals of any age to join high impact exercise and muscle-fortifying into their week by week exercise plan. Most classes keep going for 45-55 minutes. [2] People don't need to be solid swimmers to partake in water heart stimulating exercise.

The exhibition of development while suspended in water where the feet can't contact the base surface, bringing about a non-sway, high-safe, complete body practice exercise, is known as profound water heart stimulating exercise.

Advantages of this strategy incorporate less weight on the back, hips, knees and lower legs.

AQUATIC THERAPY POOLS

- Aquatic therapy pools are having various kinds of pools and these are medical pools for individuals and institutions
- Aquatic pools for special children.
- Aquatic pools for sports rehabilitation.
- Aquatic pools for injury recovery.
- Aquatic pools for rehabilitation of spine and brain injuries.
- Aquatic pools for arthritis.
- Old age rehabilitation is also done with aquatic therapy pools. As mobility of old people are limited and this help them in movement safely without injuries.

BENEFITS OF AQUA AEROBIC VS LAND AEROBICS

Most land-based high-impact exercisers don't consolidate quality preparing into their calendars and accordingly including sea-going activity can extraordinarily improve their wellbeing ,in option to oxygen consuming exercise] do muscle-reinforcing exercises that are moderate or high force and include all significant muscle bunches on at least 2 days every week, as these exercises give extra medical advantages." Over time water vigorous exercise can prompt a decrease of circulatory strain and resting pulse, which will improve wellbeing overall.

The advantages of water opposition preparing incorporate the initiation of restricting muscle bunches for a decent exercise. The push and draw of the water permits both expanded muscle preparing and an implicit wellbeing hindrance for joints. Actually, before water heart stimulating exercise water, damage treatment utilized the advantages of water. The water likewise diminishes lactic corrosive buildup. Another undeniable advantage to water exercise is the cooling impact of the water on the framework. The normal temperature around 38 degrees in a gathering wellness pool, this temperature will compel the body to consume calories to remain at homeostasis while additionally keeping up a cool, agreeable climate with less sweat perceptible to the member.

A water vigorous exercise class fusing buoyancy gadgets.

The moderation of gravity makes water heart stimulating exercise alright for people ready to keep their heads out of water, incorporating the elderly.

Exercise in water can likewise anticipate overheating through nonstop cooling of the body. More established individuals are increasingly inclined to joint inflammation, osteoporosis, and feeble joints in this way water heart stimulating exercise is the most secure type of activity for these conditions. Research studies can show us the advantages the old can get by taking an interest in water high impact exercise. In an investigation done in Brazil, "Impacts of water-based exercise in large more established ladies: Impact of present moment follow-up concentrate on anthropometric, practical wellness and personal satisfaction parameters" the impacts of long haul water high impact exercise was tried. In spite of the fact that it didn't finish up precisely as arranged, their guineas pigs experienced improved oxygen consuming limit, muscle perseverance, and better by and large life quality. The water additionally gives a steady situation to old with less parity control and accordingly counteracts damage.

WETFIT AQUA GYM EQUIPMENTS

- AQUA BIKE
- AQUA MOON WALKER
- AQUA TREAD MILL
- AQUA POD
- AQUA POOL
- AQUA DUMBELL/AQUA NOODLES ETC
- AQUA BALANCING BOARD
- AQUA GYM PODIUM
- AQUA BOXING

AQUA BIKE - UNDER WATER BIKE FOR AQUA GYM

- AQUA BIKE is for under water use only.
- MADE of marine grade Stainless steel
- Adjustable Handle and Seat
- Can be used in any pool
- Required depth of water 900 mm. (minimum) to 1200mm (max).

AQUA MOON WALKER

- AQUA moon walker is for under water use only.
- MADE of marine grade Stainless steel
- Adjustable Handle and anti skid steps.
- Can be used in any pool
- Required depth of water 900 mm. (minimum) to 1200mm (max).



AQUA TREADMILL

- Indigenous Under water treadmill
- Foldable light weight
- Made of marine grade steel
- The belt supported with individual roller
- Handle to walk front and backward
- Movable easily
- Can be used by all age group.
- Good for depth of water from 600 to 1200 mm.



AQUA POD

- Compact design and size 3 x 1.5 x 0.75 m.
- Visible glass walls on both side of pod.
- JACUZZI water filter and LED lights.
- Automatic treadmill with speed control.
- Foldable treadmill.
- Seat for sitting with pressure jets at back.
- All weather pod with hot and cold water.
- Aqua bike and also be place in the same pod.



AQUA DUMB BELL, AQUA NOODLES

- Aqua dumbbell for under water use.
- These are harm less and only used with water.
- Aqua noodles for aquatic pool and aqua gym.



AQUA BALANCING BOARD

- Aqua balancing board is a floating board
- Made of fibreglass with anti skid surface.
- Hooks for holding the board
- Size of board 2100 x 800 mm
- Thickness 100 mm



AQUA POOL-COMMERCIAL, INDIVIDUAL AND AQUA GYM

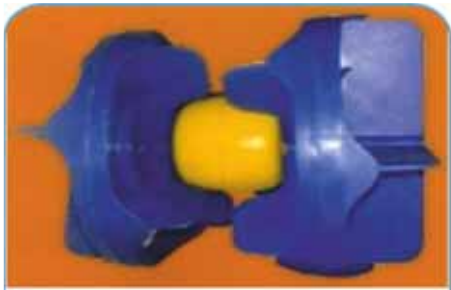
- These are fiberglass made swimming pool or prefab liner pool for commercial usage.
- These pool are with hot and cold water with filtration system and disinfection system.
- The aqua bike, aqua walker, aqua tread mill or aqua gym/ boxing podium can be installed
- These pools can outdoor or indoor installation and usage.

AQUA GYM PODIUM AND AQUA BOXING

- Aqua gym podium is supported. With two AQUA POLE connected with one Bar.
- Most of the body weight-based exercise can be done on this.
- Kick boxing bags also installed with this podium.
- The stretch band can also be attached to it.



OLYMPIC POOLS EQUIPMENTS



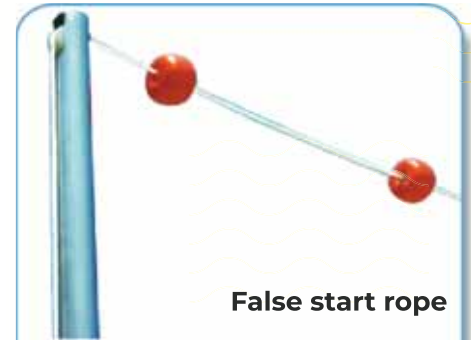
Floating Lanes

ABS Made Overflow Grating with 150MM Diameter & Ball Inside



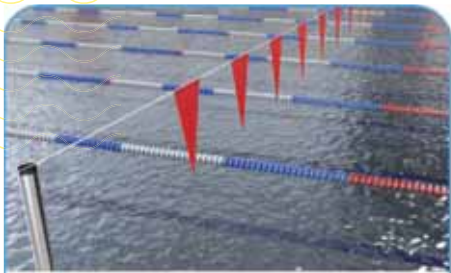
Floating Lanes

ABS HD made floating lanes with 100 mm diameter with Nylon coated wire and SS made encore.



False start rope

This is the rope use to stop the competitor in the event of early start or false start by swimmer.



Back Stroke Indicator

Is the flaged rope on the height of 1.8. meter of water level and get support with ss pole on both side.



Life Guard Chair

Is the chair use by life guard to look around the pool and the swimmer.



Water Polo Goal Post

Water Polo Goal Post Set 3x1x1.2Mtrs in size with Floating Fibre made Floats with Wire & Anchore.



Starting Blocks

STARTING Podium or Block is the starting point for swimmers. It should be 300-600 mm high from the level of water. And size of podium is 500x 500 mm with foot rest pushing board.



Touch Pad & Display Board

A touch pad sensor is an electronic timing device used in swimming competitions. It is located at the end of the swimming pool (underneath the diving blocks), and when a swimmer touches it when they finish their lap, their time is recorded.



Diving Board

5 Mtrs Long & 0.5 Mtrs wide Diving Board with 0.04Mtr Thick Diving Board with MS Made Fumcrum & Clamps



Floating Lanes Binder

For swimming competition, the floating lanes are the dividing lines among the swimmers. These are anti wave and design in such a way that any flow of water does not move them from its place. Two sizes of floats are available with diameter 100mm and 150 mm. Length can vary from 10 meter to 50 meter.



Life Buoy

A life buoy is a life-saving buoy designed to be thrown to a person in water, to provide buoyancy and prevent drowning



Shepherd Hook

Shepherd hook is used as a reaching pole or to encircle a conscious or unconscious victim in the water.

PREFABRICATED SWIMMING POOL-LINER POOLS (Any size, Any shape, Anywhere)

More than 25 years of experience, **Arrdev international** is into the manufacturing of swimming. Arrdev pools is famous for quality of work & product. We are installing prefab pool with Wall Panels & Brackets, Swimming Pool Membrane (liner), etc. We built swimming Pools at every place like in Schools/Clubs, Hotels, Commercial Swimming Pools, Society Swimming Pools, Farmhouse, Residents, etc. The making of these pool is very easy with 3 simple steps: designing, building wall with panel, pasting liner (membrane), fix accessories and fill the water.

Prefabricated swimming pool: the civil construction has its own complications, and you need a lot of manpower and consultants. Technology means simplifying the process & operations. **Arrdevpools** focussed to make pools simple & easy. That has come with 25 year of continuous R&D to make swimming pools better every year. **Prefabricated pools** as name suggested that it fabricated in factory & assembled at sites. Prefabricated pool can be built in any shape & size. These can be in ground or above ground, indoor & outdoor.

Stage of Pool Designing:

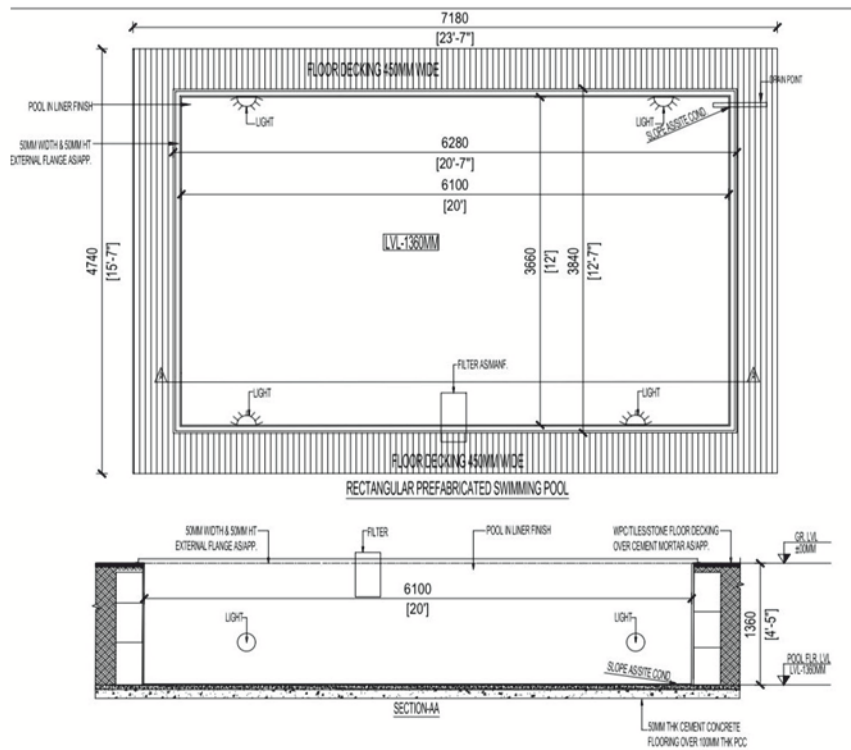
3 D Design of swimming pool.

Manufacturing the wall panels and finishes as per Design.

Transportation of swimming pool in modular for along with filter and fittings to site.

Site preparation on site.

After the above work the swimming pool installation process starts which have 8 stages.



Once all assembling, fixing is done we fix lights ladder and other required accessories in pool, finally fill water and testing is done by our technical team after that swimming pool handover to client.

Roof top pools can be made on existing RCC roof if roof structure is made up of to bear waterweight. Or we can give strength to roof by prefabricated steel platform or RCC. rest procedure is same as explain above.

SWIMMING POOL WALL PANELS & BRACKETS

A mass of solidarity.

The wall panels, not only standing itself but giving strength to the structure vertical ribs are incorporated at the back of each wall panel.



POOL MEMBRANE / POOL LINER

Pool LINER specifically made for swimming pool and water bodies. all across the world 60% pools are made in liners. • Liner comes in many designs, colours and pattern.

The ideal arrangement...

Arrdev pools liner are utilized as premium fortified pool layers in open pools, resort pool, indoor pools and restrictive private pools.

They are utilized as a covering material for both fixed indoor and outside pool. The 4 layer is developed of just the best material, guaranteeing tear confirmation sturdiness that will give long periods of pleasure and durable execution. The liner is impervious to enduring and cold temperatures. Likewise, the material has an enemy of microbial completion, which makes it impervious to parasites and microscopic organisms.

Arrdev pool layers are tried as per the unbending rules of the pond conform to all concoction and physical necessities.

Our pool layers are appropriate for both new developments just as the remodel of existing swimming pools. Regardless of whether pool is built with Granite, metal, plastic or wood, our pool layers can be introduced on any strong surface. This is laid on a defensive, isolating down layer, which is then welded together by hot air welding so as to make a consistent, an airtight waterproof surface.

Liner Specification: 1.5 mm thick (+3%), Width: 1.5m, 1.8m

Tensile: 350 lbs(warp), 250 lbs (fill) Tear Strength: warp 85 fill-8lps

Temp Resistance: Low (-) 22°F, H (+)1580F, UV-Resistance, Anti mildew Cadmium free.



LINER DESIGNS



PEBBLE DESIGN



SPARKLE DESIGN



MOSAIC DESIGN



PLAIN DESIGN



PREFABRICATED SWIMMING POOL (Designer Swimming Pools)

Swimming is a splendid thought, particularly if it's finished during a hot day-or essentially an upsetting day. In any case, setting off to an open pool may turn into an issue since everyone has a similar thought. We practically 100% sure the spot will be packed when you arrive.

Be that may, a private swimming, indoor or open air, isn't just a corresponding component of a house, it's additionally an important resource.

With Prefab technology of Arrdevpools, building any design of pool is possible.



SCHOOL/COMPETITION SWIMMING POOL

School swimming pool are mostly in rectangular shape. It must have open space all-around the swimming pool. It should have proper railing, starting blocks & floating lane for practice & competitions. Diving pools are different kind of pool which is deeper than the normal swimming pools.

Swimming pools for school & academy have different set of requirements.

The size of pools is fixed. Kids/Toddlers pool should not be more than 2ft deep.

Semi Olympic pool 25mx12.5m x 1.35m

Olympic size swimming pool: 50mx25m x 1.35m

Training pools can be as follows: -10mx5mx1.2m, 15mx10mx1.2m



HOTELS & CLUBS

Swimming pool in hotel or resort enhance the value of property and giving an extra facility to their guests, Arrdev pools had made swimming pools in hotels like Hayat, Holiday inn, Ramada, Radisson and many more.

Hotels swimming pools are mostly on the roof top or in basement where construction is not so easy. But Arrdev pools invented an easy way to build a pool at anywhere. the weight of panel is negligible in compare of RCC structure. In-ground, semi ground or above ground pool can be made with prefabricated technology. Any designs, size is possible in pre fab pools. Waterfall & fountains can be added in these pools.

we are able to give overflow in prefabricated pools also

these pools are the perfect choice to meet the standards of hotel. We can make over flow channel around or any wall of swimming pool. The balancing tank can also be made in prefab structure, Filtration system can be conventional sand or pipeless filter with cartage filters/bag.



CLUB SWIMMING POOLS

club pools are mostly in societies, colonies are made by builders or RWA.to avoid lengthy civil process builders giving us swimming pool projects because it's easy and fast in making process . we are using pipe less filter that cut the running cost of a pool. our satisfied clints are ISRO,Ganpati builder, Indian army ,Winlass Builder , BUILDCON etc.



HOME SWIMMING POOLS

Every home deserves a pool is a slogan given by Arrdev international.

Every dream home have a swimming pool and we fulfil this dream in very easy and innovative way. Swimming can be a regular work out so if it's in your home nothing be better than this. Our company is making hundreds of pre fab pools in a year in houses across INDIA and other countries. You can have it in back yard, on terrace or inside a room also. Process of making prefab pool is same as explain before. With design and colour pattern we can enhance the beauty of your personal pool.

For farmhouse /villa/home stay in remote or any other area these pools are easy to use and maintain. Where the usage is not regular and maintenance staff is also not available. The prefabricated pools are the best in terms of costing and maintenance. In Most of the farm houses area permanent structure is not allowed here prefab is the best solution.



EVERY
HOME
DESERVES
A POOL

FARM HOUSE





STAGES OF PRE-FABRICATED SWIMMING POOL INSTALLATION:

INGROUND

1. EXCAVATION AND PCC/ RCC ON FLOOR



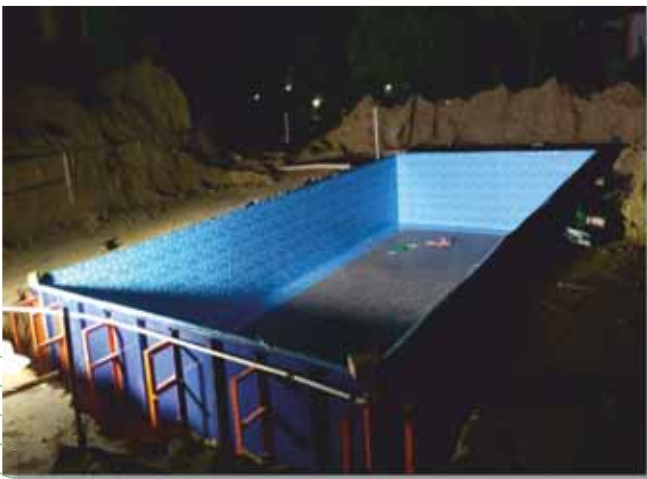
- 2 Feet Extra Excavation & PCC/RCC is needed to work around the pool, also fixing of support for the wall.
- +0.0 level is needed for PCC
- RCC/PCC 1:2:4 mix

2. WALL PANELLING AS PER DESIGN AND SIZE

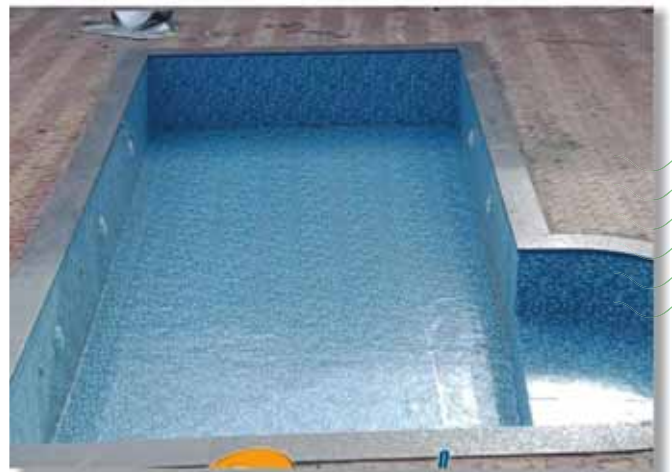


- Wall panels are erected as per the size & design of swimming pool. Levelling & fixing is done.

3. PCC, SLOPE AND PLASTERING INSIDE THE POOL



- Slope needed to make in Concrete PCC for drain purpose & plastering 1:4 mm for smooth surface.
- Outside the wall Bracket & Fixtures to be hide in PCC/RCC for long life.



- Liner is pasted and welded in entire pool wall and floor as needed.

INGROUND

4. LINER PASTING, WELDING FIXING OF WATER FILTER, LED LIGHT, LADDER INSIDE THE POOL.



- LED lights, fountains drain pipe, Ladder & filter are fixed as required.

5. FIXING OF DECKING AROUND THE SWIMMING POOL & TESTING WITH CLEAN WATER.



- Making deck all around after fixing the soil etc. around the pool

6. FINISHED POOL READY TO USE



7. POOL SIDE FURNITURE AND LANDSCAPING





STAGES OF PRE-FEBRICATED SWIMMING POOL INSTALLATION:

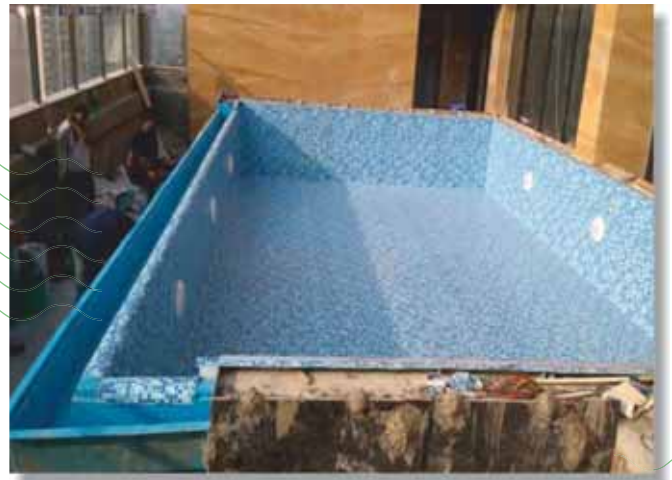
ON ROOF (TERRACE)/ ABOVE GROUND



1. ROOF TOP INSTALLTION FOR PREFAB POOL IS REALLY EASY AND NO CHANCES FOR WATER SEEPAGE OF LEAKAGE.
2. Second Step: For above ground pool the liner placement along with lights, filter and pool ladder.
3. SUPPORT ALLAROUND NEEDED 600 mm extra space from swimming pool.
4. Fill the water and Use the swimming pool for Life: No seepage or leakage possible through linear and even if it happen we always know where it is and we can always repair it.
5. Pool deck with steel frame and stone on top of that.



STAGES OF PRE-FEBRICATED OVERFLOW SWIMMING POOL INSTALLATION:



1. Step: Panels Erecting
2. Overflow Channel Is Fixed Along One/all Sides Of The Pool
3. Liner Is Pasted And Welded In Entire Pool Wall, Overflow Channel, Floor As Needed.
4. Testing With Clean Water.



SWIMMING POOL FILTERS

Everyone who uses a swimming pool is aware of the importance of filters, so we have developed pipeless filters equipped with the newest technological advancements. As a leading manufacturer of pipeless filters, we provide a wide selection of pipeless filters in a variety of sizes and shapes. We provide top-notch pipeless filters for the greatest experience throughout India as well as overseas. Pipeless filters, also known as cartridge filters, are a newer type of pool filtration system that do not require a traditional sand or diatomaceous earth (DE) filter. Instead, they use a pleated cartridge made of a polyester material to filter out debris and contaminants from the pool water. One advantage of pipeless filters is that they are more energy-efficient than traditional filters, as they require less water flow and pressure to operate. This means they can also help reduce your overall pool maintenance costs, as they require less frequent backwashing and cleaning.

Another benefit of pipeless filters is that they are typically easier to maintain and clean than traditional filters. The cartridges can be easily removed and hosed down to remove any debris, and they can be replaced when they become too worn or damaged.

Pipe Less Filters: Every swimming pool needs water, and we need a water filtration system to keep that water clean. The dust that enters the swimming pool is cleansed by a filter that settles on the floor or dissolves in the water and is invisible to the human eye.

The first step in the process is to use a medium to remove impurities from the water. 1. Sand 2 cartridges, 3 DEs, and 4 filter bags.

The second factor is the chemical makeup of the water, which causes dust and other impurities to settle and benefits the pool's biological system. To maintain the water's pH at 7.6, alum and acid are added.

Controlling biological water contaminants comes third. After 3–4 days, water starts to deteriorate. Therefore, in order to keep water clean, disinfectants are required. These typically consist of chlorine or bromine, though ozone or UV disinfectants may also be used.

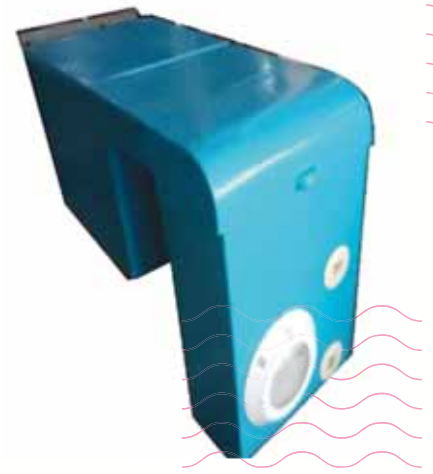
The aforementioned components formed the basis of the entire swimming pool water treatment concept, and we must manage them with various devices and filters.

The cost of chemicals and the amount of electricity used in the processes mentioned above are both considerable. We had to perform back washing in the sand filtration system, which involved throwing swimming pool water and chlorine into the process. New chlorine had to be injected each time we performed the back washing. So we waste both chemical and water.

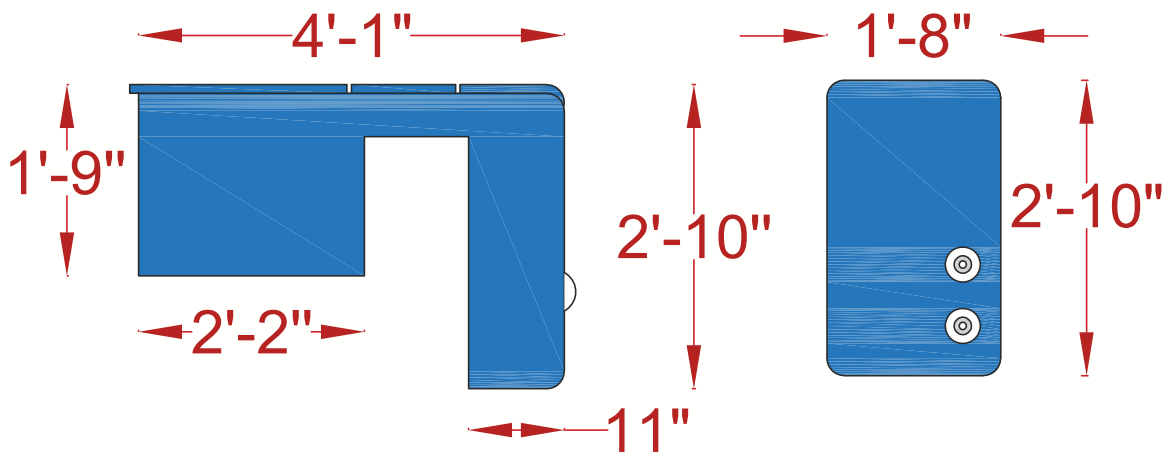
We do not waste water using pipeless filters, which results in very cheap maintenance costs.

MINI PIPELESS FILTER

- One filter enough for pool size up to 20x20x4 ft (400 sq. ft.)
- Model No: AF- MINI-F-50 • Patented Design
- Pipe less Filter of Capacity 5500L./hour. • One hp motored pump
- 10-micron bag filter under water light of 100w/12V
- Bag filter 10 micron

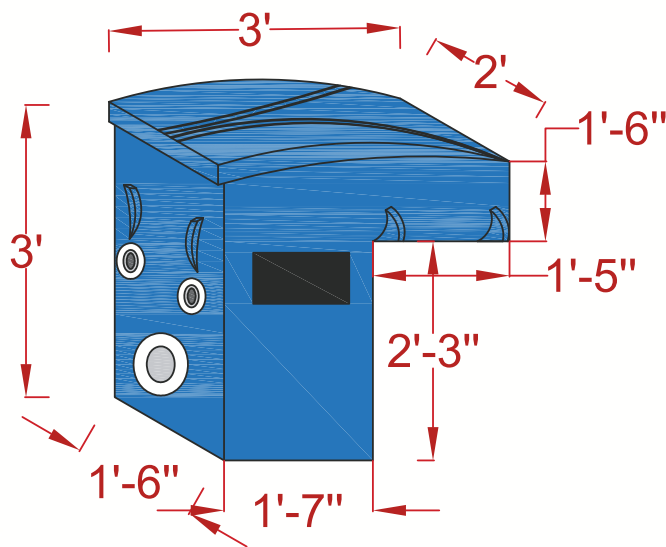


MINI FILTER



DECK MOUNTED FILTER-DOMESTIC

- Make: Arrdevpools (patented design)
- One inbuilt skimmer and two filter water outlet nozzles on both sides.
- One under water light 100w/12v with electronic transformer.
- One hp motored pump.
- One CF-50 model filters with cartridge.
- Water proof electrical control box.
- Skimmer is at right/left side with nozzles at front side.
- 25-micron filtration with 4.2sq. meter surface area of filter.
- Three stage: skimmer/strainer/cartridge Filtration.
- Colors: White/blue or as per requirement.
- Pool Size - 20x25x4ft (500 sq. ft) •Pipeless Filter -6000 L/hr
- Circulation Pump-1 HP •Filter -4.2 sq. ft



DECK MOUNTED
PIPELESS FILTER



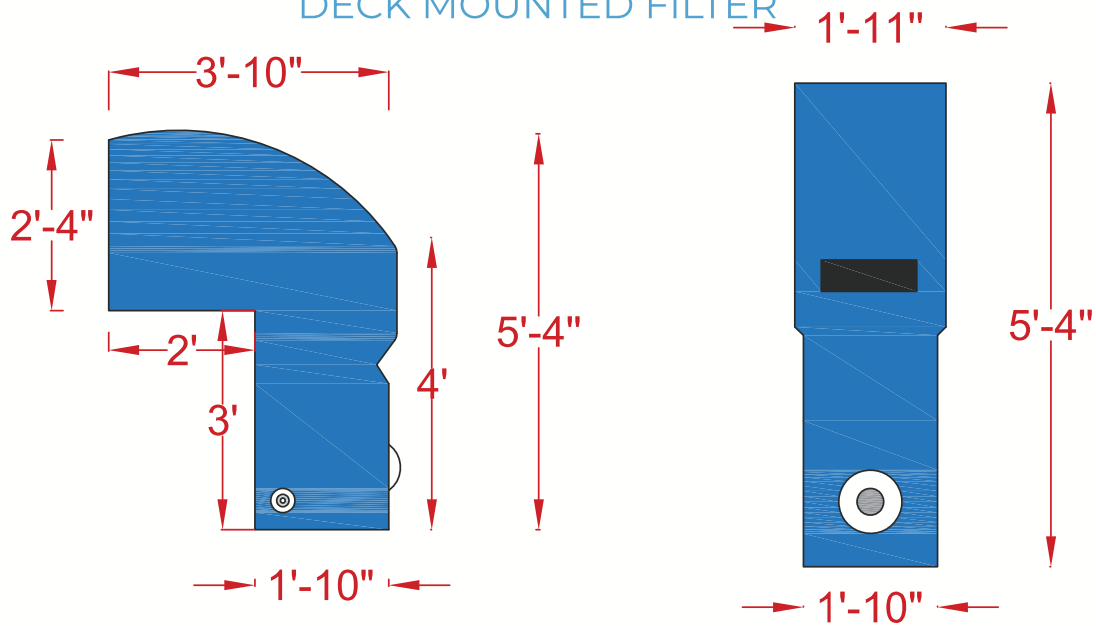
DECK MOUNTED PIPELESS FILTER-COMMERCIAL

In this model no cutting required at pool deck, the machines like filter and pumps are fixed on the deck of swimming pool. Useful and efficient for water bodies/swimming pool with depth more than 600mm and where wall is thick and no cutting is possible.

- Deck Mounted Pipe less Filter AF-13.5 DECK-F-50.
- Swimming pool of surface up to 600 sq. ft. (30ft x20ft x4ft)
bigger pool the multiple unit is required.
- Filtration Capacity 10000liters/hour.
Pump flow rate: 25000/hr.
- Filter-12.4 sq. feet
- Patented Design (fibre glass is not affected
by chlorine, heat and cold).

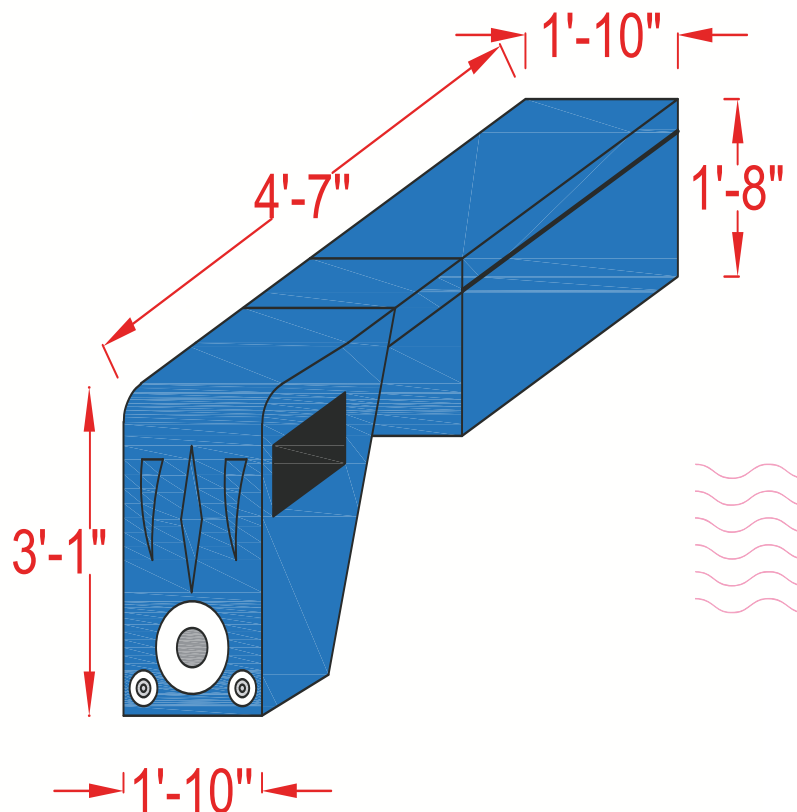


DECK MOUNTED FILTER



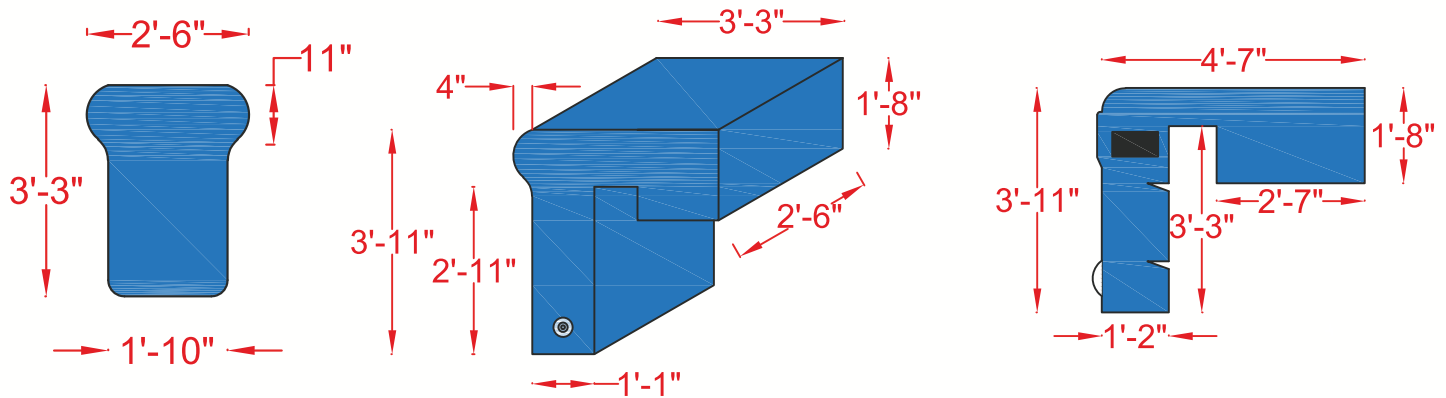
RETROFIT PIPELESS FILTER

- In this kind of filter, no cutting required at pool wall, the machines like filter and pumps are fixed on the deck of swimming pool.
- Retrofit Pipe less Filter Model: AF-15Retro-F-100.
- One unit for swimming pool surface up to 800 sq. ft. (40ft x20ft x4 ft).
- For bigger pool the multiple units are required.
- Pump flow rate: 45000 litre/hr.
- Pipe less Filter of Capacity: 15000 litres/hr. (residential pools) One under water light 100w/12v with electronic transformer LED.
- One 1.5 hp motored pump.
- Two CF-50 model filters with cartridge.
- Water proof electrical control box.
- Skimmer is at side with nozzles at front side.
- 25-micron filter with 9.4 sq. meter surface area of filter.
Three stages a skimmer/strainer/cartridge Filtration.
- Colours: White/blue or as per requirement (Customized).
*Fiberglass is unaffected from chlorine, heat & acids.



COMMERCIAL PIPELESS FILTER

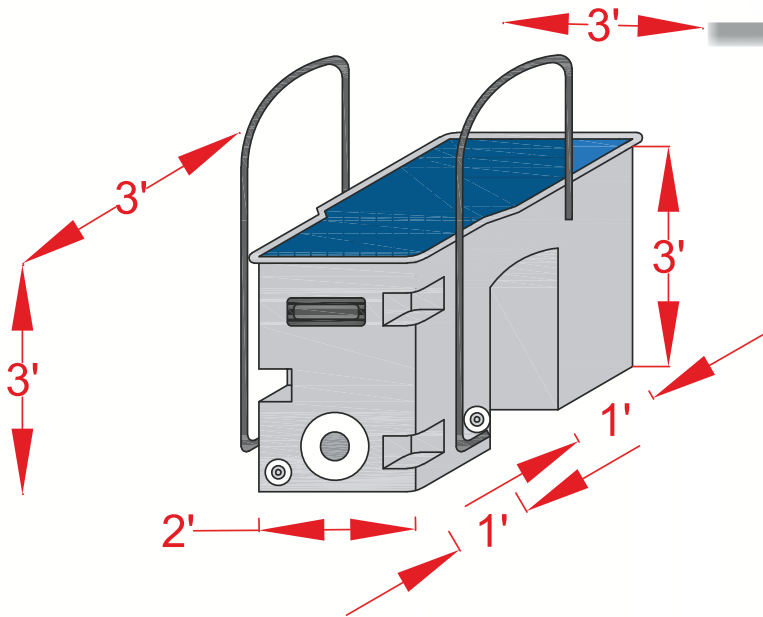
- It has largest surface area of 14-sq. meters. The flow rate is 2000 litres/sqm/hr. pe the best filtration available all over world. This filter is the best suitable solution where high number of people are using pool or too dusty conditions.
- Wall hung Filtration Unit Commercial Model: AF-24UniF-150.
- One unit is for swimming pool surface up to 900 sq. ft. (45ftx20ft x4 ft) for big pools needed multiple
- Pipeless Filter of Capacity 20000 litres/hour (Residential pools),
- Pump flow rate: 60000 litre/hr
- Arrdevpools make (This is compact system using the cartridge filter. These are fixed after completion of civil work in swimming pools.)



ALL IN ONE PIPELESS FILTER

This is fiberglass made Pool filter with all in one system.

- Pool ladder
- LED light
- Pump 1-1.5HP
- Bag filter
- Skimmer in built
- Jet Nozzles
- Pump channel
- Flow rate 10,000 lit/hour
- Area covered 600 Sq.Ft



ALL IN ONE
FILTER



FOUNTAINS



Dolphin / Fish Fountain

Dolphin/Fish Fountain with the Height of 1.2 Mtrs



Sheet / Cobra Fountain

Fibreglass made Cobra Fountain 0.75Mtrs. in Height & 0.3Mtrs. Wide with 50MM Connection



Wall/Water Fountain

8x4x4 inch 500 mm and 750 mm water fountain



Mushroom Fountain

1.5 Mtrs in Height & 1 Mtrs Diameter in Mushroom Fountain



Cascade Fountain

Cascade Fountain Only

POOL LOUNGE & SIDE FURNITURE





Chlorine Doser



Water Testing Kit



UV Disinfectant System



Chlorine Dispenser



Extension Rod



Ozone Generator



Floor Cleaners, Hose Pipe, Wall Brush & Butterfly Net

POOL ACCESSORIES

HEATERS

- Online Heater
- Heat Pump
- Heater & Chiller
- Solar Heater



POOL COVERS

- Floating Pool Cover
- Solid Pool Cover
- Cover Binding Stand



POOL DECKING

- WPC Floor Decking
- WPC Wall Panelling
- Wooden Decking



OVERFLOW POOL

- Overflow Grating
- Skimmer



UNDER WATER LIGHTS

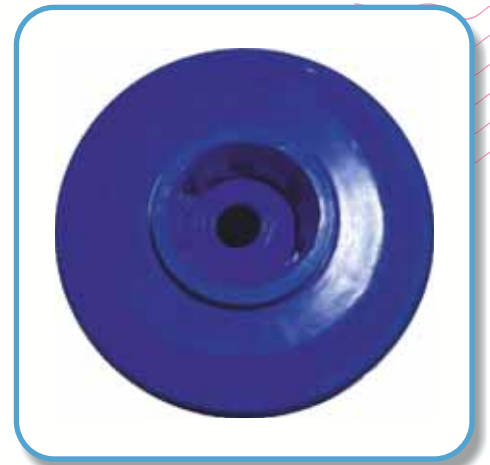
- LED LIGHTS
- HALOGEN LIGHTS
- COLOUR CHANGING

LIGHTS



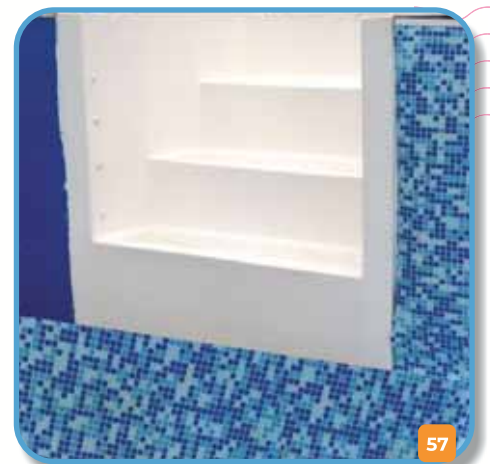
POOL INLET NOZZLES

- JET NOZZLES
- SURFACE NOZZLES
- POOL DRAIN NOZZLES



POOL STEPS, LADDERS & BARS

- PRE FABRICATED
- CIRCULAR STEPS
- SQUARE STEPS
- SS 300 MADE SWIMMING
- POOL LADDER
- SIDE BAR
- POOL DECK BAR
- POOL STEP BAR



**CERTIFICATE
OF
ACHIEVEMENT**



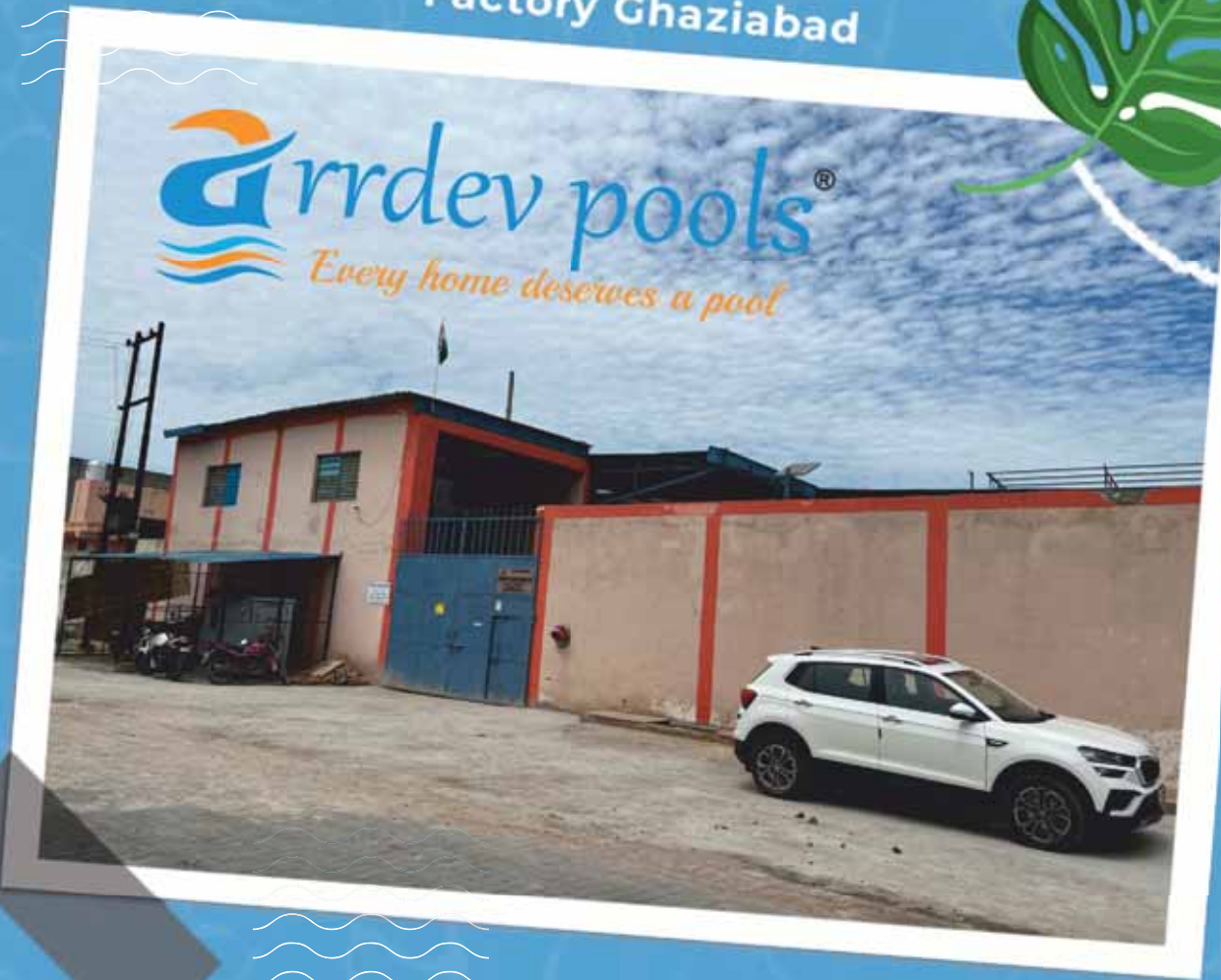


CELEBRATING
25 YEARS

Office Noida



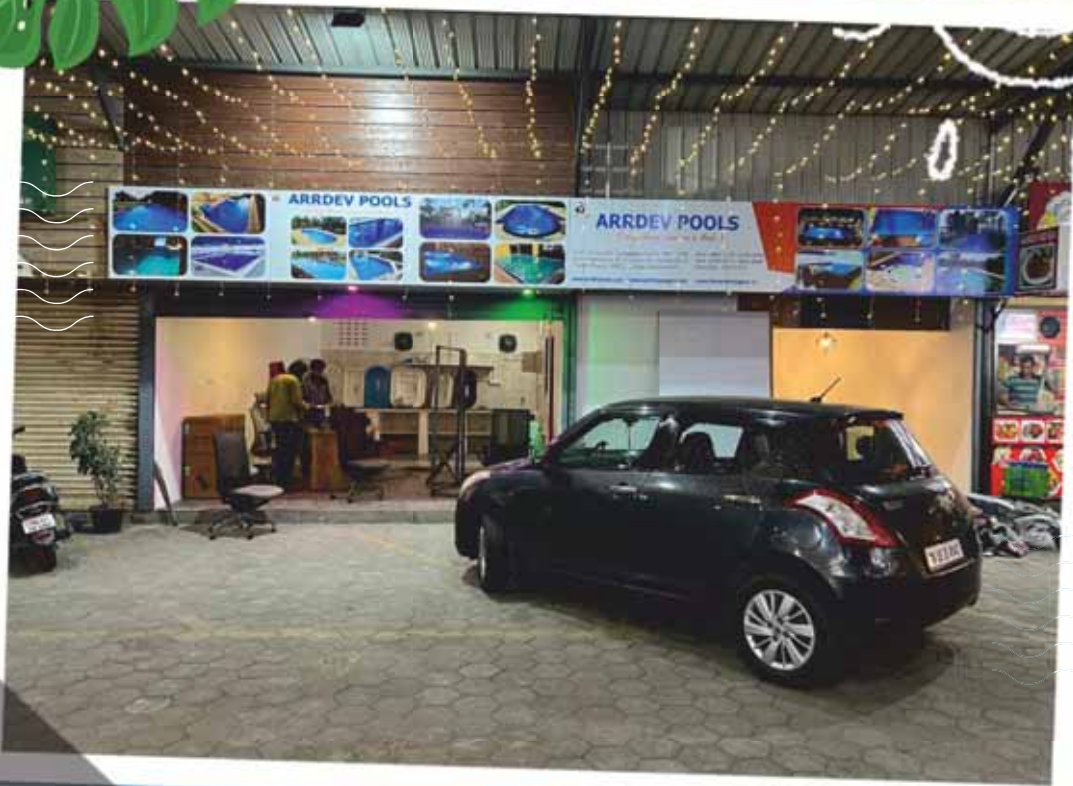
Factory Ghaziabad



Office Bangalore



Office Chennai





EXHIBITIONS



GOA POOL & SPA CONFERENCE 2023



INTIEXTI LUDIYANA 2023



RAIPUR EXHIBITION 2022



ARCH EXPO 2022



ACETECH 2010



INSIDE OUT SIDE 2009 CHD



OUR TEAM



ARCHI EXPO BANGALORE 2023



POOL AND SPA EXPO GOA 2023



SPORTS EXPO 2015



INTERNATIONAL TRADE FARE 2012

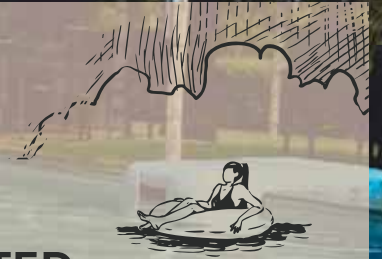


WAVE 2009 DELHI



INSIDE OUT SIDE 2006

CONTACT US



ARRDEV PREFAB PRIVATE LIMITED

Head Office: Arrdev house , SP31 sector 130 Noida 201304 (UP) India,
Factory : Unit 1- G391, Phase 2 Upsidc, Massuri Gulawati Road , Hapur (UP),
Unit 2- Khasra No. 378, Dinanathpur, Dasna,ghaziabad (UP)

Bangalore Office: 108/2, ARR Compound, Vijaya Bank Colony Extn. Banswadi Ring Road,
Horamavu Post, Banglore-560043 (Karnatka)

Chennai Office: No. 165, Shop No. C5, ECR Food Street, East Coast Road, Injambakkam, Chennai-600115 (TN)

Dealer: Across India | **Overseas:** Nepal, Bangladesh, UAE, Maldives , Malasiya & Africa



North India: +91 9625881913, +91 8700605929, +91 9625299466,
South India: +91 9738594049, +91 7418711770, **West India:** +91 9625801913, +91 73040 66913
Dealers: Export +91 9810101913



info@arrdevpools.com | arrdevpools@gmail.com



www.arrdevpools.com | www.theswimmingpool.in | www.wetfitaquagym.com



@arrdevpools



@arrdevpools_india



@arrdevpool

